



Datasheet

RS PRO Mini HDMI 19 Pin Male to HDMI Female Adapter, Black

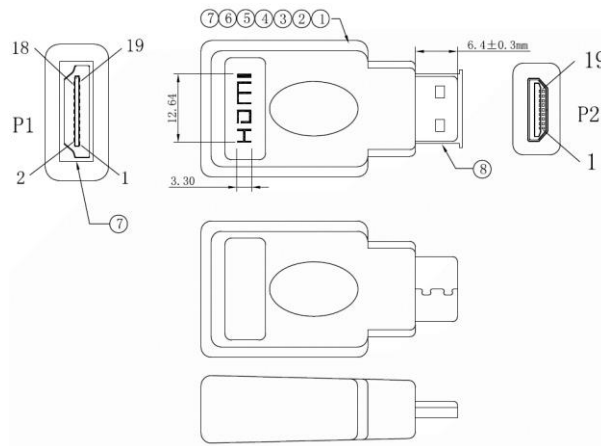
Stock number: 2299962

EN

The RS PRO Mini HDMI 19 pin male to HDMI female adapter has a black ABS shell and metal connectors which are gold plated, our adapter has all 19 pins connected by a PCB.

The primary use of this adapter is to convert a standard HDMI connector to a device with a mini HDMI socket.

HDMI is possibly the most common display connection on the market which can be found on devices ranging from PC's, Bluray players, games consoles and more.



PIN OUT			
P1	P2	P1	P2
1	2	10	11
2	1	11	10
3	3	12	12
4	5	13	14
5	4	14	17
6	6	15	15
7	8	16	16
8	7	17	13
9	9	18	18
		19	19
		shell	shell

8	MINI HDMI Dust cover
7	HDMI F BLACK ABS BOOT
6	UL1007 28AWG BLACK L=25MM Tin Plated:2*2mm
5	45P black PVC
4	Transparent PE
3	HDMI A(F) TO HDMI C(M) PCBA
2	HDMI 19P F insulation:black shell:gold plated
1	MINI HDMI 19P M insulation:black shell:gold plated

RoHS / REACH / CE