

## FEATURES

- Different types of screwlock assemblies for D sub connectors
- Thread size is 4-40 UNC
- Supplied disassembled

## RS PRO Screwlock D Connector

RS Stock No.: 814-039



RS Professionally Approved Products bring to you professional quality parts across all product categories. Our product range has been tested by engineers and provides a comparable quality to the leading brands without paying a premium price.

### Product Description

RS PRO range of zinc plated screwlock assemblies for use with D-Sub connectors. The screwlock assembly kits in this range consist of three types; Male screwlock assembly which includes two clips and two locking screws. Female screwlock assemblies available in 8 mm thread length or 13 mm thread length which include locking screws, washers and nuts.

[829-918](#) – Male screwlock assembly

[814-023](#) – Female screwlock assembly 8 mm thread length

[814-039](#) – Female screwlock assembly 13 mm thread length

### General Specifications

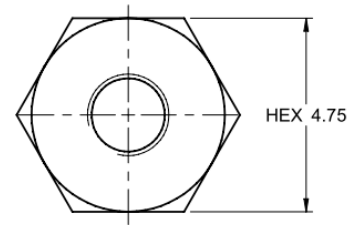
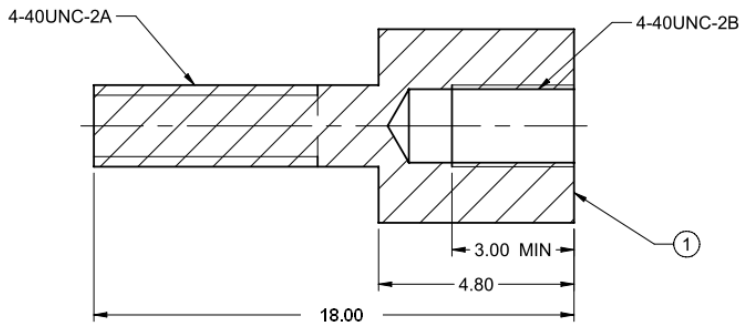
<b>Accessory Type</b>	Screwlock
<b>For Use With</b>	D Connector
<b>Gender</b>	Female
<b>Finish</b>	Zinc
<b>Thread Size</b>	4-40 UNC
<b>Application</b>	Preventing mechanical stress, provide EMI/RFI shielding and protection from the elements, Industrial, commercial and domestic applications and environments

### Mechanical Specifications

<b>Screw Length</b>	13mm
---------------------	------

### Approvals

<b>Compliance/Certifications</b>	ANSI/ESD S20.20:2014 and BS EN 61340-5-1:2007
----------------------------------	---



814039  
Finish: Zinc

