



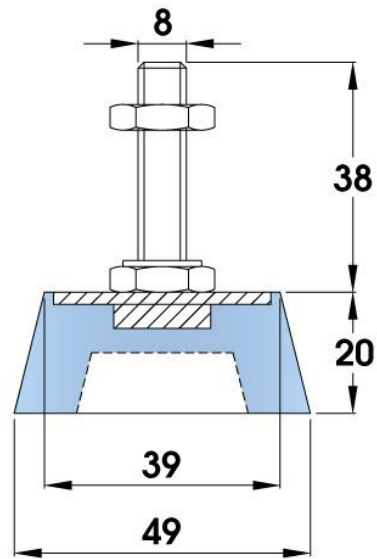
ENGLISH

Machine Levelling Feet

Product Details

Suitable for isolating vibration from heavy machinery and acts as a levelling device for un-even flooring. Also available with stainless steel metal parts for use with food industry machinery.

Dimensions & Range Table



RS Code	Part No.	Description	Maximum Static Load Rating (kg)	Rubber Hardness (ShA)
1623252	FMD49M8-2.5	Machinery Mount (D) M8x49mm 65 ShA NR	40	65