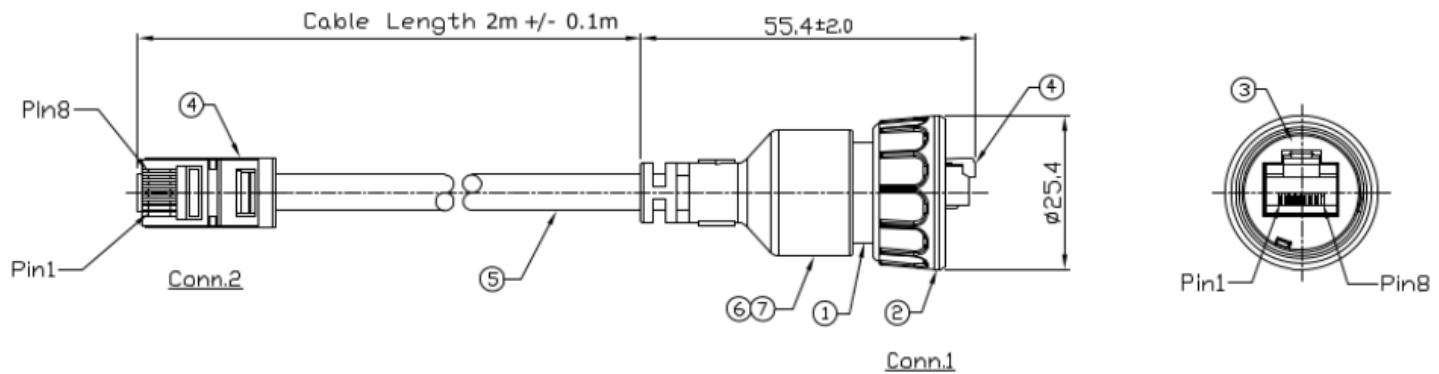




Notes: (Unless Otherwise Specified)
 1. Waterproof Rate: IP67.
 2. RoHS Compliant.

REV	ECNR	DESCRIPTION OF REVISION	DRAW BY DATE	CHECK BY DATE	APPROVE BY DATE
A0		Mass Production	Joyce 11/23/11	Lucas 11/23/11	Ray 11/23/11



7	Over Mold	PVC Color: Black	1
6	Inner Mold	Threnoplastic Color: Black Or White	1
5	Cable	CAT5E 24AWG4P+D+U/My (UV) Color: Black, OD=6.0mm	1
4	RJ45 Plug	Housing: Threnoplastic, Color: Black Contacts: Copper Alloy, Finish: Au Plated Shell: Cold Roll Steel, Finish: Ni Plated	2
3	Rubber Pad	Silicone Color: Black	1
2	Screw Nut	Threnoplastic Color: Black	1
1	Housing	Threnoplastic Color: Black	1
Item	Part Name	Material / Finish	QTY

1	White/Orange	1
2	Orange	2
3	White/Green	3
4	Blue	4
5	White/Blue	5
6	Green	6
7	White/Brown	7
8	Brown	8
Shell	Drain	Shell
Conn.2		Conn.1

Mating Parts:
 111-6735
 111-6736

Wiring Diagram

TITLE		DRAWN BY				CHECKED BY				APPROVED BY				UNIT	SHEET
RJ45 Plastic C3 Shielded Cable End Plug Screw With Shielded Plug		Joyce 11/23/11				Lucas 11/23/11				Ray 11/23/11					
THIRD ANGLE PROJECTION		SIZE	SCALE	DRAW / DATE		CHECK / DATE		APPROVE / DATE		TOLERANCES					

RS Stock No
 111-6737