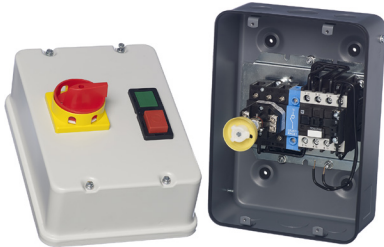


# Direct-On-Line (DOL) Motor Starter with Isolator

**multicomp** PRO

**RoHS  
Compliant**



## Description

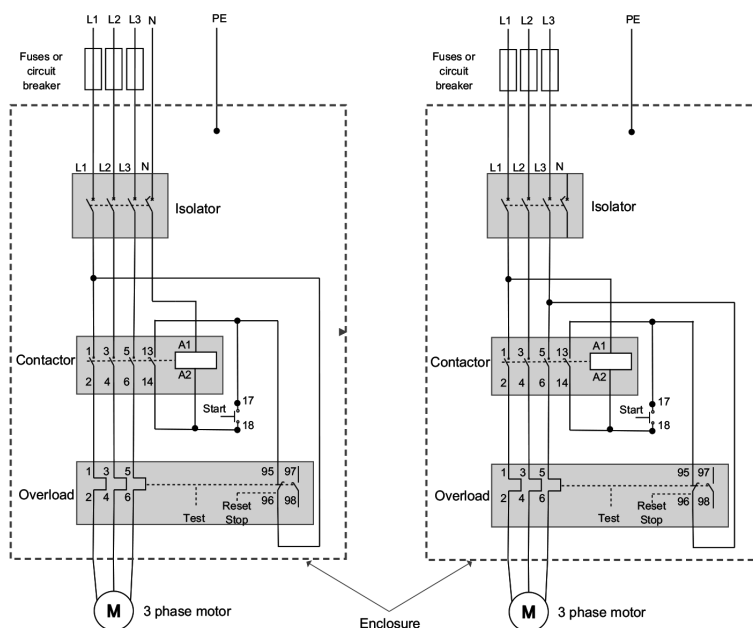
The Direct on Line motor starter (DOL) is designed to switch a single or three phase induction motor at rated voltage. It comprises of an isolator, steel enclosure, a contactor start contact, link wires and stop / start buttons. The Thermal overload is supplied as a separate item.

Part Number	Enclosure Type	Coil Voltage	Current Rating	Max. Motor Size kW @ 415V
MCBE2-D123U7	Steel	240V	12 Amps AC3	5.5 kW
MCBE2-D123N7		415V	12 Amps AC3	5.5 kW
MCBE2-D253U7		240V	25 Amps AC3	11 kW
MCBE2-D253N7		415V	25 Amps AC3	11 kW

## Wiring of the Direct-On-Line (DOL) Motor Starter with Isolator

- 1) Three Phase Supply 240Volt Coil - see wiring diagram. **(1)** The following links are pre-fitted to the starter; 13 - 17 with a flying lead to be connected to Overload terminal 95; A2 - 14 - 18. All other control and power connections have to be made by the installer.
- 2) Three Phase supply 415 Volt Coil - see wiring diagram. **(2)** The following links are pre-fitted to the starter; 13 - 17 with a flying lead to be connected to Overload terminal 95; A2 - 14 - 18; Contactor terminal 1 - A1; Contactor terminal 5 via flying lead to Overload terminal 96. All other control and power connections have to be made by the installer.
- 3) Single Phase supply 240 Volt Coil - see wiring diagram. **(3)** The following links are pre-fitted to the starter; 13 - 17 with a flying lead to be connected to Overload terminal 95; A2 - 14 - 18; Contactor terminal 5 - A1; Contactor terminal 5 via flying lead to Overload terminal 96. All other control and power connections have to be made by the installer.

### (1) Wiring of DOL devices for 400V 3 phase with 240V coil      (2) Wiring of DOL devices for 400V 3 phase with 415V coil

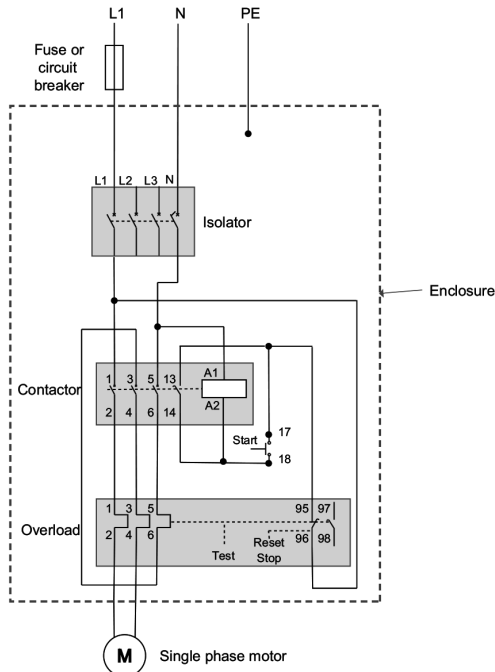


Newark.com/multicomp-pro  
Farnell.com/multicomp-pro  
sg.element14.com/b/multicomp-pro

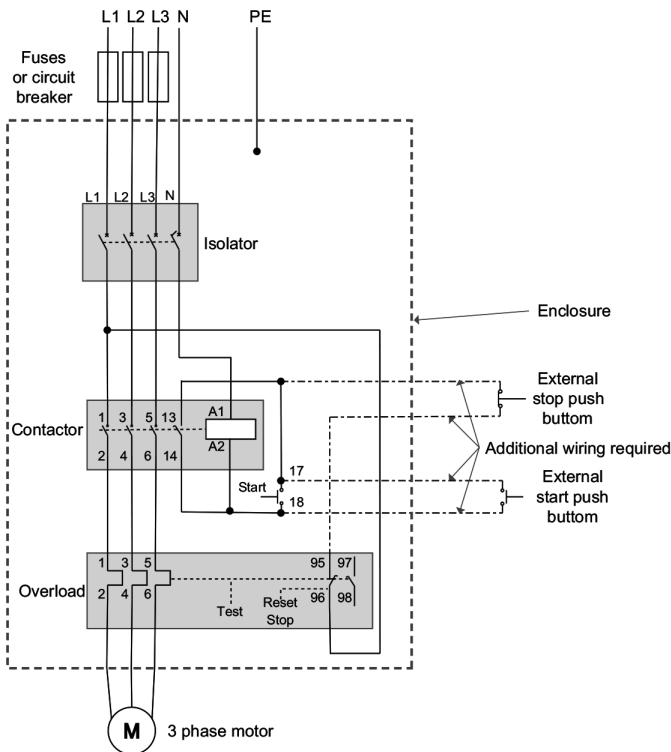
**multicomp** PRO

# Direct-On-Line (DOL) Motor Starter with Isolator

## (3) Wiring of DOL devices for 240V single phase with 240V coil



## Wiring of additional start stop devices on DOL devices for 400V 3 phase with 240V coil

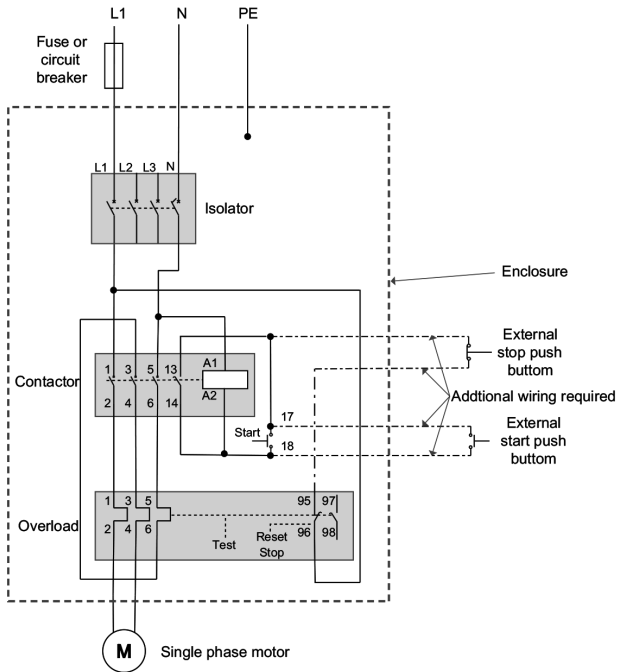


Additional start and stop stations can be wired to the DOL control circuit. In principle, the start buttons should be momentary normally open device and wired in parallel with terminals 17 & 18.

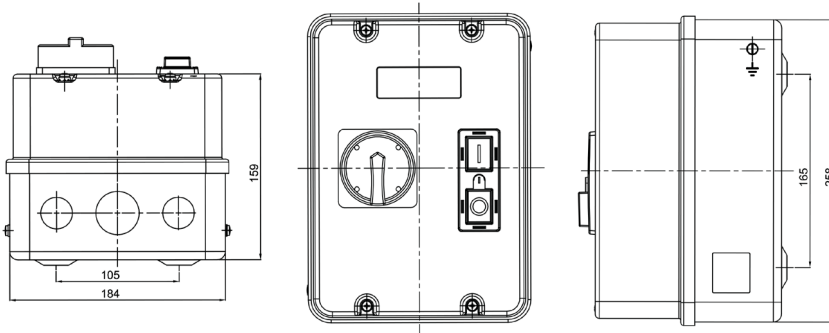
The wire between terminals 95 and 13 must be removed and the stop buttons must be wired in the circuit between terminals 95 & 13 in series with the internal stop contact 95-96

# Direct-On-Line (DOL) Motor Starter with Isolator

## Wiring of additional start stop devices on DOL devices for 240V single phase with 240V coil



## DOL Dimensions



## Part Number Table

Description	Part Number
Direct-On-Line (DOL) Motor Starter w/ Isolator (IP54), 12A, 240V AC, 5.5kW	MCBE2-D123U7
Direct-On-Line (DOL) Motor Starter w/ Isolator (IP54), 12A, 415V AC, 5.5kW	MCBE2-D123N7
Direct-On-Line (DOL) Motor Starter w/ Isolator (IP54), 25A, 240V AC, 11kW	MCBE2-D253U7
Direct-On-Line (DOL) Motor Starter w/ Isolator (IP54), 25A, 415V AC, 11kW	MCBE2-D253N7

Dimensions : Millimetres

**Important Notice :** This data sheet and its contents (the "Information") belong to the members of the AVNET group of companies (the "Group") or are licensed to it. No licence is granted for the use of it other than for information purposes in connection with the products to which it relates. No licence of any intellectual property rights is granted. The Information is subject to change without notice and replaces all data sheets previously supplied. The Information supplied is believed to be accurate but the Group assumes no responsibility for its accuracy or completeness, any error in or omission from it or for any use made of it. Users of this data sheet should check for themselves the Information and the suitability of the products for their purpose and not make any assumptions based on information included or omitted. Liability for loss or damage resulting from any reliance on the Information or use of it (including liability resulting from negligence or where the Group was aware of the possibility of such loss or damage arising) is excluded. This will not operate to limit or restrict the Group's liability for death or personal injury resulting from its negligence. Multicomp Pro is the registered trademark of Premier Farnell Limited 2019.