

FEATURES

- Made of ABS
- Available in white colour
- Includes 4 screws, 2 buffers, 2 blank plugs
- Recessed area for labels and keyboards

RS PRO IoT Enclosures

RS Stock No.: 2384000



RS Professionally Approved Products bring to you professional quality parts across all product categories. Our product range has been tested by engineers and provides a comparable quality to the leading brands without paying a premium price.

Family Name

Product Description

The 2384000 can be used for a variety of applications, including home temperature controllers or access control solutions.

Different plugs can be purchased as separate accessories in 10 pieces packs and available in lightgrey, black and white colours.

The enclosure features two buffers to separate the electronics from the fasteners. This keeps the electronic components safe and the finished product can be securely closed tamper sealed if necessary, with the installation of the device made easy. Enclosure can be attached to a pipe by zip ties using four rectangle holes.

General Specifications

Material	ABS
Colour	White
Applications	IoT
Mounting	Desktop, Wall mount, Pole mount
Ventilated	No, Optional

Mechanical Specifications

Height	33.0 mm
Width	75.2 mm
Length	125.05 mm
Gasket	No

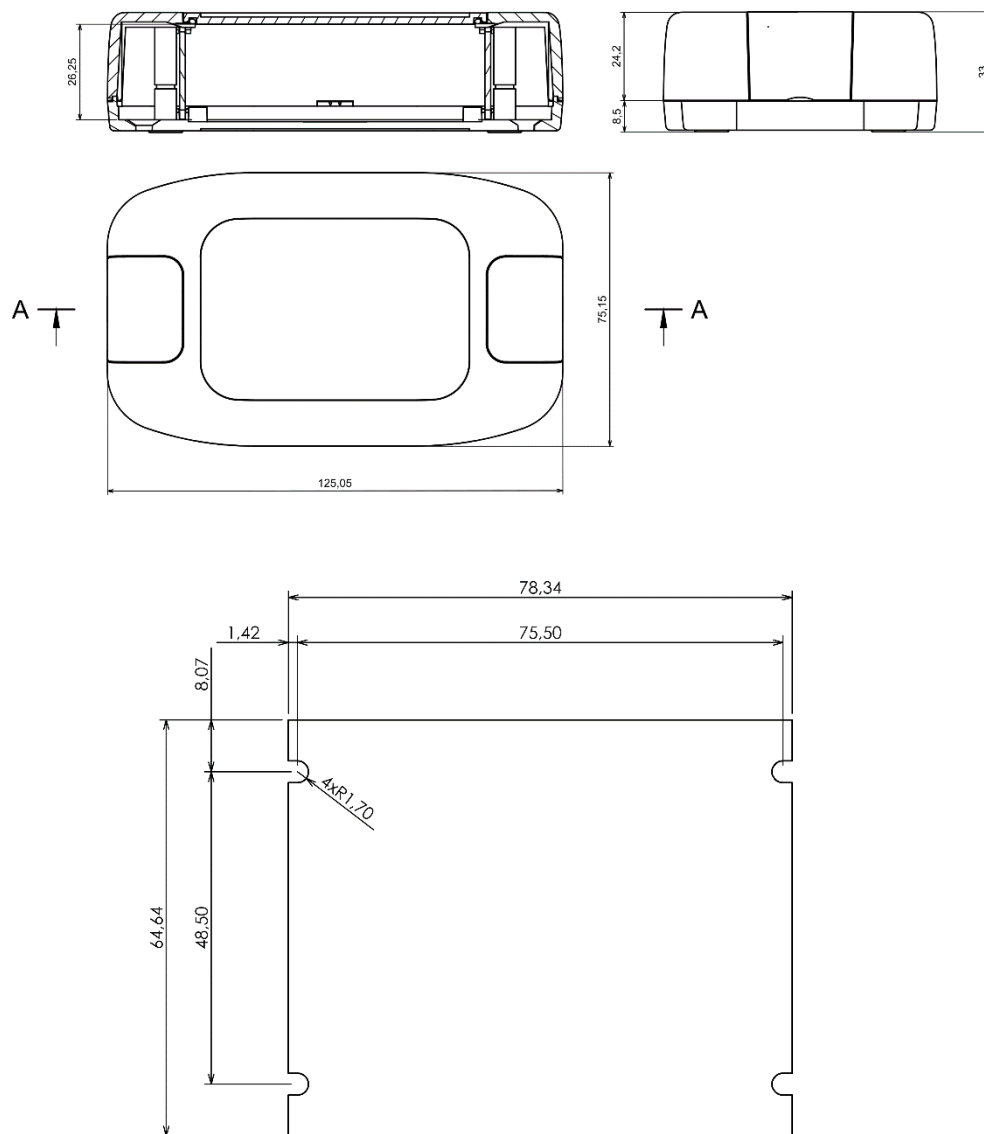
Approvals

Standards Met	RoHS Compliant
----------------------	----------------

Similar Products

Stock No.	Brand	Product Name	Colour
2383999	RS PRO	IoT Enclosure	Black
2384001	RS PRO	IoT Enclosure	Lightgray

A-A



All dimensions are given within +/-0,5mm tolerance