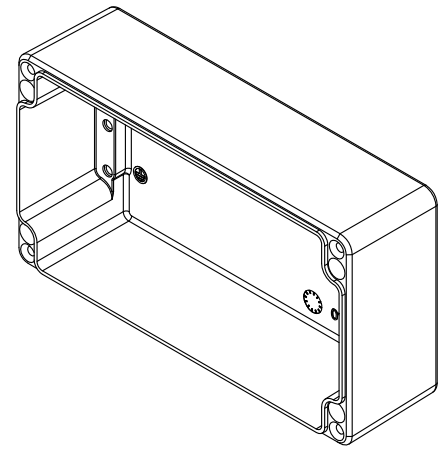
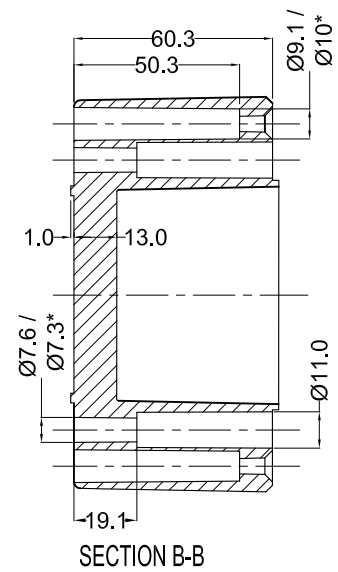
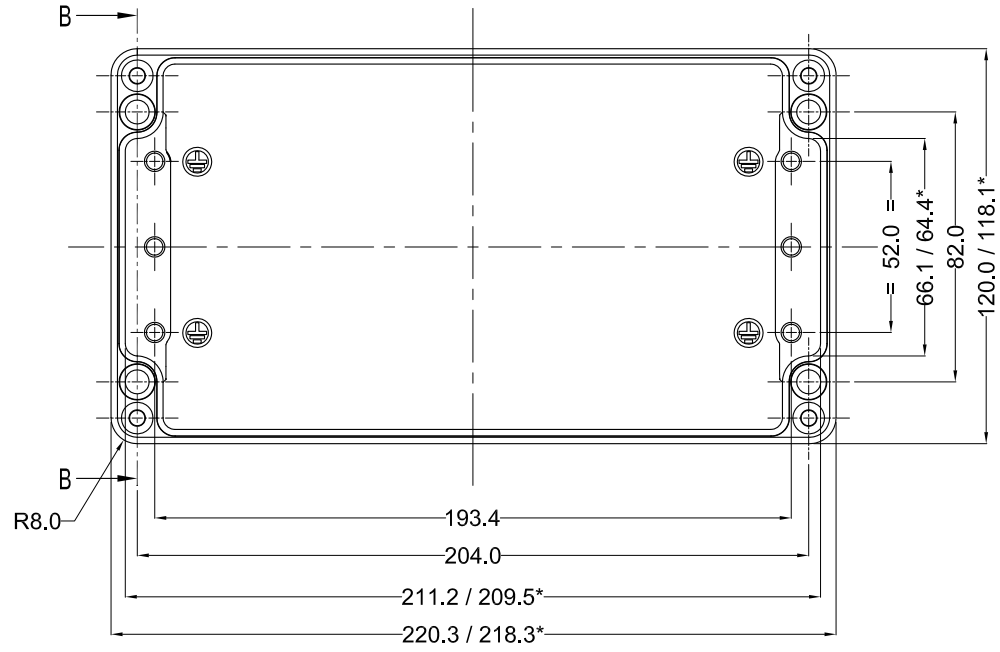
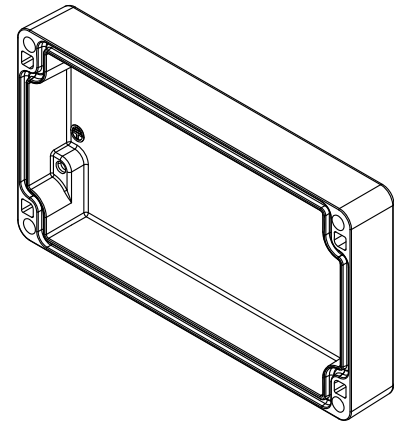
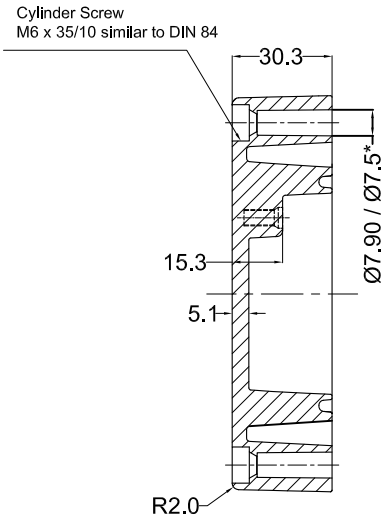
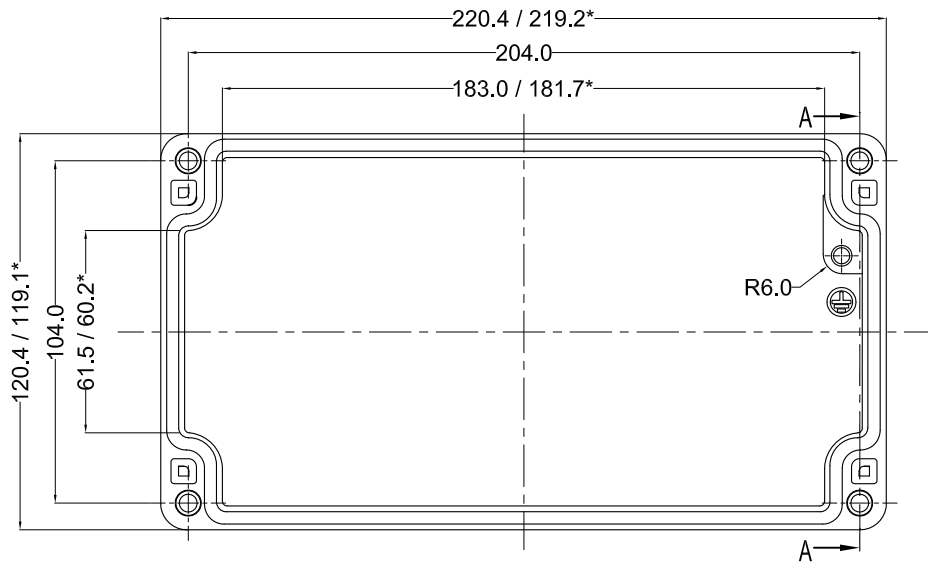


* = Conical form tapering downward.
 Untoleranced dimensions per GTA 13/5 DIN 1688



QUANTITY 1	MATERIAL :- ALsi12 (Din230)	MACH.NAME -	DATE 30/04/12	SIGN MANOJ	NAME DRAWN
		TITLE :- JUNCTION BOX 220 x 120 x 81	DATE 30/04/12	SIGN PAVAN	NAME CHECKED
	WEIGHT: -	FINISH: NATURAL	SCALE	PARTNO. 0	
TOLERANCE ±0.2	DIMENSIONS	ALL DIMENSION ARE IN MM	REV 0	DRG. NO. AJB-22012091	
±0.2	HOLES				
±1.0°	ANGLES				