



ENGLISH

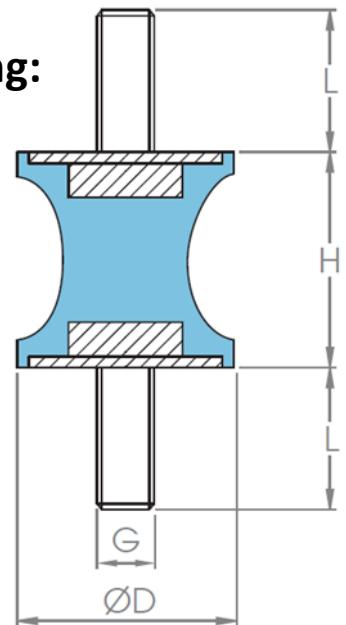
Datasheet

Stock No: 126-4277

RS Pro Shear & Compression Mounts



Line Drawing:



Product Details

Applications:

Vibrating equipment & Compactors
Suspension of electronic equipment
Small static Electric Motors and Generators

Description

Stud Mount Wasted Mount (M/M) 25x25 M6x20 50 ShA NR

Range Table:

Part Number	G X L (mm)	45 ShA	
RS Stock No	Bolt Size	Compression	Shear
126-5939	M4x10	5.6	1.5
126-4273	M4x10	1.5	0.36
126-4274	M6 x 18	9	2.1
126-4275	M6 x 15	14	3.4
126-4276	M6 x 18	14	3.4
126-4277	M6 x 20	12	3
126-4278	M8 x 20	13	3
126-4279	M10 x 25	23	5.6
126-4280	M8 x 23	13	3
126-4281	M10 x 28	58	14