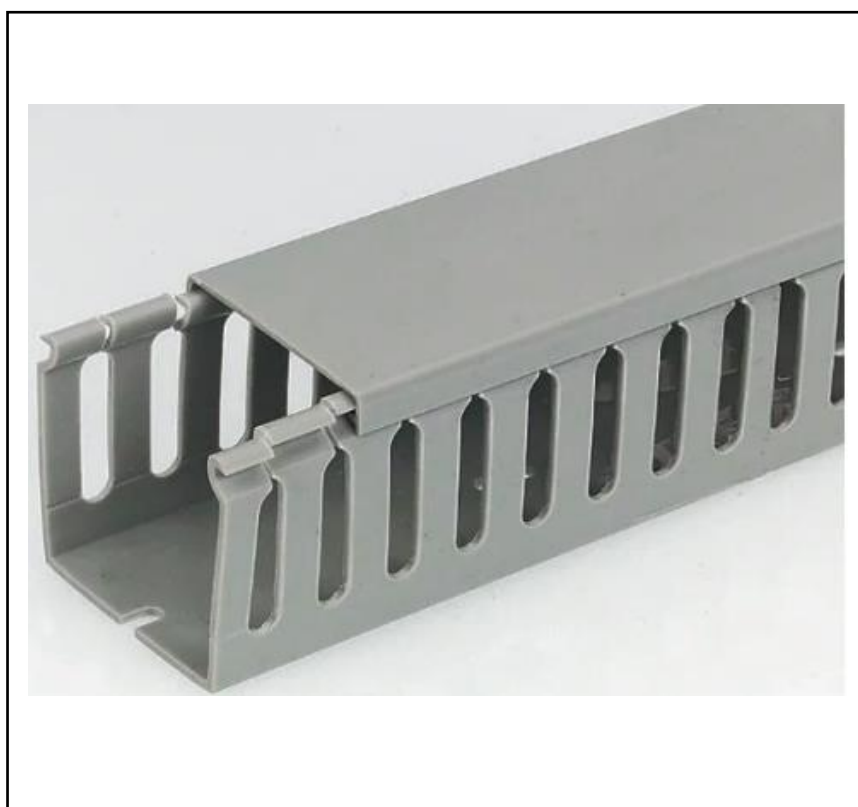


## FEATURES

- Cable protection
- Slotted construction
- Significantly lower fire risk, due to self-extinguishing nature
- Slot gaps are 8mm

## RS PRO Grey Slotted Panel Trunking - Open Slot, W60 mm x D40mm, L2m, PVC

RS Stock No.: 758-9294



RS Professionally Approved Products bring to you professional quality parts across all product categories. Our product range has been tested by engineers and provides a comparable quality to the leading brands without paying a premium price.

## Product Description

Brought to you by RS Pro, this open slot PVC cable trunking is versatile and cost effective. Used in any application where cable protection is essential, this cable trunking has flexible slots to allow easy slide-on and slide-off of the cable cover. The open slot construction also allows for cables to be threaded into and out of the trunking at any point. The trunking is made from high impact, warp proof PVC, and is self-extinguishing to UL94-V2. This means the trunking is suitable for commercial applications, with an emphasis on safety and long-life. Whether you are running cable from switchboards for IT applications, or power and network leads for a busy office or factory floor, this cable trunking is ideal. All models are highly reliable and excellent quality.

## General Specifications

|                            |   |
|----------------------------|---|
| <b>Trunking/Chain Type</b> | Slotted Panel Trunking  |
| <b>Material</b>            | PVC   |
| <b>Colour</b>              | Grey  |
| <b>Fire Behaviour</b>      | Self-extinguishing  |
| <b>Applications</b>        | Offices and indoor work spaces, at various lengths, Electrical workshops, Schools, Hospitals, Hotels and anywhere with customers walking amongst cables |

## Mechanical Specifications

|                  |      |
|------------------|------|
| <b>Length</b>    | 2m   |
| <b>Width</b>     | 60mm |
| <b>Depth</b>     | 40mm |
| <b>Slot Type</b> | Open |
| <b>Slot Gap</b>  | 8mm  |

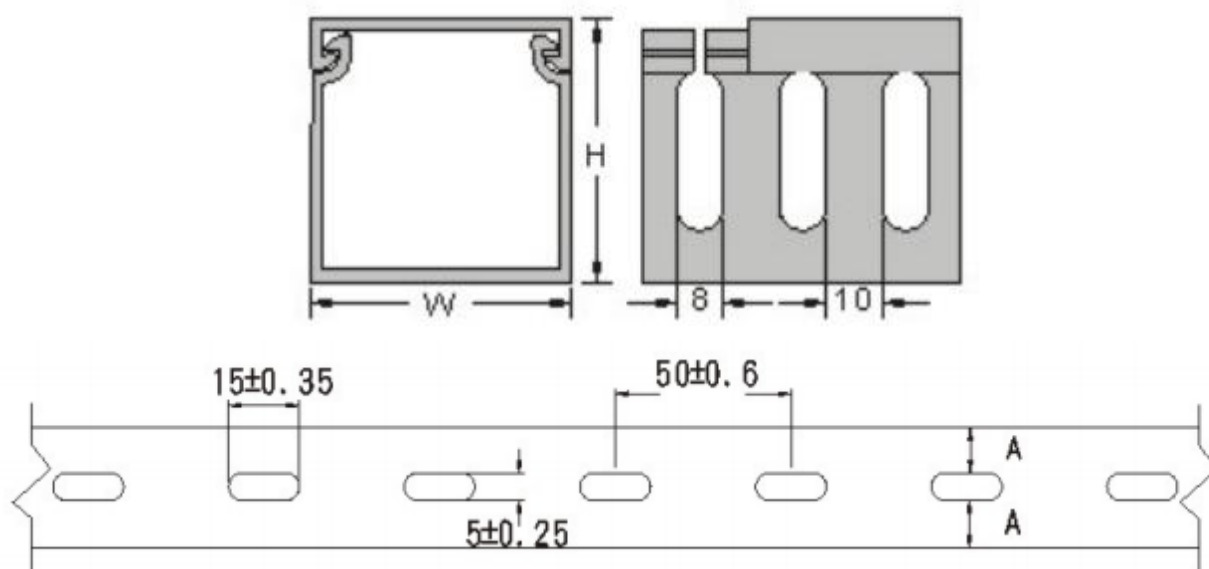
## Operation Environment Specifications

|                                    |            |
|------------------------------------|------------|
| <b>Operating Temperature Range</b> | Up to 50°C |
| <b>Maximum Service Temperature</b> | 85°C       |

## Approvals

### Standards Met

CE, CSA, RoHS Compliant, UL 94 V-0, UL 94 V-2, UL E97527



| RS Article No   | W(mm) | H(mm) | A    | Slot | Length |
|-----------------|-------|-------|------|------|--------|
| <b>758-9279</b> | 25    | 30    | 10   | 8mm  | 2M     |
| <b>758-9272</b> | 25    | 40    | 10   |      |        |
| <b>758-9276</b> | 25    | 60    | 10   |      |        |
| <b>758-9285</b> | 25    | 80    | 10   |      |        |
| <b>758-9288</b> | 40    | 40    | 17.5 |      |        |
| <b>758-9282</b> | 40    | 60    | 17.5 |      |        |
| <b>758-9291</b> | 40    | 80    | 17.5 |      |        |
| <b>758-9294</b> | 60    | 40    | 27.5 |      |        |
| <b>758-9298</b> | 60    | 60    | 27.5 |      |        |
| <b>758-9308</b> | 60    | 80    | 27.5 |      |        |
| <b>758-9301</b> | 60    | 100   | 27.5 |      |        |