



EN

Datasheet

RS PRO NYLON-INSULATED DOUBLE CRIMP LONG BARREL RING TERMINALS

Stock number: 178-8755

MAXIMUM ELECTRIC CURRENT:

A.W.G.	16	14
AMP.	18	30

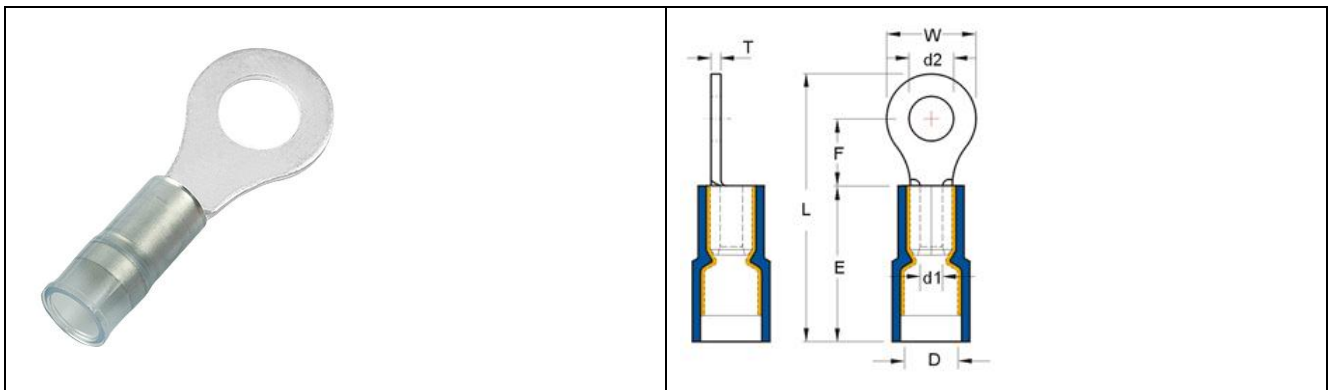
MAXIMUM ELECTRICAL RATING: 105° C 600 VOLTS MAX.

INSULATION MATERIAL: NYLON

TERMINAL MATERIAL: COPPER

DOUBLE CRIMP: WITH COPPER SLEEVE ON BARREL

INSULATION COLOR: BLUE



WIRE RANGE A.W.G. mm ²	ITEM NO.	STUD SIZE d2	DIMENSION inch(mm)							
			W	F	L	E	D	d1	T	
16-14 A.W.G.	178-8755	#10	0.209	0.335	0.307	1	0.535	0.205	0.091	0.031
1.5-2.5 mm ²			5.3	8.5	7.8	25.4	13.6	5.200	2.3	0.8