

FEATURES

- 2 PIECES SET: 1 flush cutter medium head (max 1.30 copper wire), 1 Long serrated flat-nose pliers (3mm steel thickness).
- Belt pouch in durable nylon material
- Ergonomic anti-slip bi-component handle for a safe, light and comfortable grip
- Anti-reflection phosphating surface treatment
- Laser marking
- Made in Italy

RS PRO 2 pieces tools set: 1 cutter, 1 pliers

RS PRO Stock No.: 249-8647



RS Professionally Approved Products bring to you professional quality parts across all product categories. Our product range has been tested by engineers and provides a comparable quality to the leading brands without paying a premium price.

Product Description

- *Made in Italy with special carbon steel and undergo a controlled atmosphere heat treatment.*
- *The anti-reflection phosphating surface treatment ensures an accurate view of the work being carried out.*
- *The tools are joined with grounded holes and surfaces, thereby allowing precise movements.*
- *The anti-slip bi-material dolphin handle is created following ergonomic principles, thus guaranteeing a safe, light and comfortable grip for the operator even when used constantly for many hours*
- *This tools set is ideal for different applications in microelectronics, jewellery making, laboratory, watch making and repairs, DIY.*

General Specifications

CUTTER	
Cutter Type	Medium head. Flush cut.
Non-Sparking	Yes
Tip Style	Flush cut. Medium head size
Material	Carbon steel
Finish	Anti-reflection phosphating surface treatment, red grip
Overall Length	138 mm
Cutting Force	5.5 kg
Weight	80 g
Steel Thickness	3 mm
Max cut	Ø 1.30mm - 16 awg copper wire
PLIERS	
Tip Style	Long serrated flat-nose pliers
Non-Sparking	Yes
Material	Carbon steel
Finish	Anti-reflection phosphating surface treatment, red grip
Overall Length	160 mm
Hrc	48-50
Weight	78 g
Steel Thickness	3 mm

Electrical Specifications

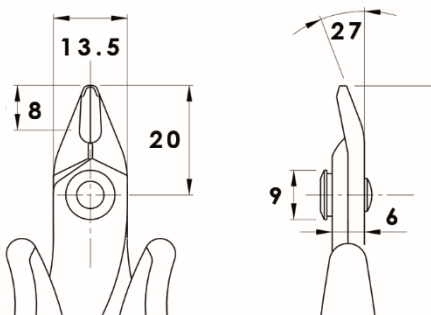
ESD Safe	No
-----------------	----

Kit contains

Name	QTY	RS PRO order code
Flush cutter	1	606-490
Long serrated flat-nose pliers	1	249-8671



CUTTER



PLIERS

