

EX-PROOF LED TUBULAR LIGHT FITTING

SXCL Series



TECHNICAL INFORMATION

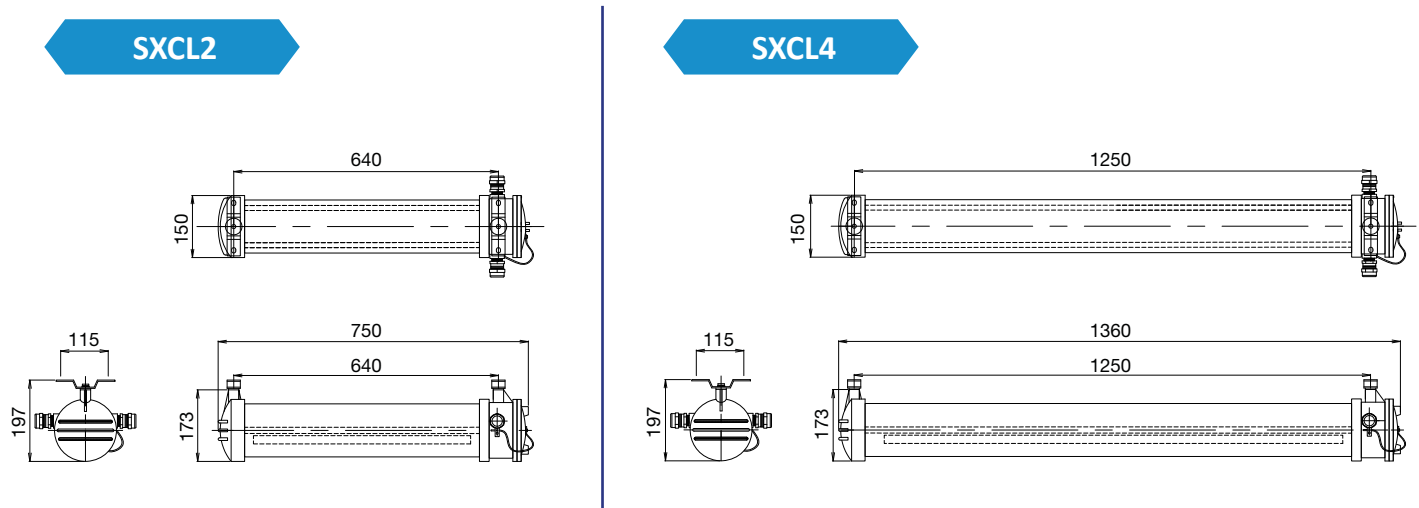
Certification	ATEX and IECEx approvals for Zones 1/2 & 21/22 applications Ex db IIC T6 Gb and Ex tb IIIC T85°C Db IP66 Ingress Protection
Housing	Aluminium alloy housing with anti-corrosion powder coating RAL5002 Ultramarine blue colour Options for glass or polycarbonate diffuser
Electric	Integrated ACIC light engine (AC100V or AC240V options) Power factor >0.93
Lifespan	Ultra-long LED service life of 100,000 hours
Connection	1x 3/4" NPT Ex de cable gland for cables with steel wire, aluminium, braided and tape armour Supports cable diameter from 11.5mm to 16mm Option for additional second cable gland for emergency power input
Beam Angle	158°
EMC	IEC 60533 electromagnetic compatibility to all maritime vessels and offshore MDUs
Emergency Lighting	Optional emergency type luminaire includes 3hrs battery backup for sustained emergency lighting using secondary LED light source. Maintained lighting from primary LED light source is also supported when connected to both normal mains and emergency power supplies.

CERTIFICATIONS

ATEX Directive (2014/34/EU)
INERIS 20ATEX0008X
IECEx INE 20.0007X

 II 2 GD
Ex db IIC T6 Gb
Ex tb IIIC T85°C Db

MEASUREMENTS



ORDER CODES

BH Code	Type	Diffuser	Main Voltage	Power	CCT	Ambient Temp (Ta)	System Lumen	Weight
CLSXCL215PA1	SXCL215PA1	Polycarbonate	100V - 120VAC	1x12.5W	5000K	-20°C ~ +40°C	970lm	5.6kg
CLSXCL225PA1	SXCL225PA1	Polycarbonate	100V - 120VAC	2x12.5W	5000K	-20°C ~ +40°C	1940lm	5.7kg
CLSXCL415PA1	SXCL415PA1	Polycarbonate	100V - 120VAC	1x24W	5000K	-20°C ~ +40°C	1940lm	8.6 kg
CLSXCL425PA1	SXCL425PA1	Polycarbonate	100V - 120VAC	2x24W	5000K	-20°C ~ +40°C	3880lm	8.7kg
CLSXCL215PA2	SXCL215PA2	Polycarbonate	220V - 240VAC	1x12.5W	5000K	-20°C ~ +40°C	970lm	5.6kg
CLSXCL215PA2B	SXCL215PA2B	Polycarbonate	220V - 240VAC	1x12.5W	5000K	0°C ~ +40°C	970lm	6.6kg
CLSXCL225PA2	SXCL225PA2	Polycarbonate	220V - 240VAC	2x12.5W	5000K	-20°C ~ +40°C	1940lm	5.7kg
CLSXCL225PA2B	SXCL225PA2B	Polycarbonate	220V - 240VAC	2x12.5W	5000K	0°C ~ +40°C	1940lm	6.7kg
CLSXCL415PA2	SXCL415PA2	Polycarbonate	220V - 240VAC	1x24W	5000K	-20°C ~ +40°C	1940lm	8.7kg
CLSXCL415PA2B	SXCL415PA2B	Polycarbonate	220V - 240VAC	1x24W	5000K	0°C ~ +40°C	1940lm	9.8kg
CLSXCL425PA2	SXCL425PA2	Polycarbonate	220V - 240VAC	2x24W	5000K	-20°C ~ +40°C	3880lm	8.9kg
CLSXCL425PA2B	SXCL425PA2B	Polycarbonate	220V - 240VAC	2x24W	5000K	0°C ~ +40°C	3880lm	9.9kg
CLSXCL215GA1	SXCL215GA1	Glass	100V - 120VAC	1x12.5W	5000K	-20°C ~ +55°C	970lm	8.7kg
CLSXCL225GA1	SXCL225GA1	Glass	100V - 120VAC	2x12.5W	5000K	-20°C ~ +55°C	1940lm	8.8kg
CLSXCL415GA1	SXCL415GA1	Glass	100V - 120VAC	1x24W	5000K	-20°C ~ +55°C	1940lm	14.7kg
CLSXCL425GA1	SXCL425GA1	Glass	100V - 120VAC	2x24W	5000K	-20°C ~ +55°C	3880lm	14.9kg
CLSXCL215GA2	SXCL215GA2	Glass	220V - 240VAC	1x12.5W	5000K	-20°C ~ +50°C	970lm	8.7kg
CLSXCL215GA2B	SXCL215GA2B	Glass	220V - 240VAC	1x12.5W	5000K	0°C ~ +50°C	970lm	9.7kg
CLSXCL225GA2	SXCL225GA2	Glass	220V - 240VAC	2x12.5W	5000K	-20°C ~ +50°C	1940lm	8.8kg
CLSXCL225GA2B	SXCL225GA2B	Glass	220V - 240VAC	2x12.5W	5000K	0°C ~ +50°C	1940lm	9.8kg
CLSXCL415GA2	SXCL415GA2	Glass	220V - 240VAC	1x24W	5000K	-20°C ~ +55°C	1940lm	14.7kg
CLSXCL415GA2B	SXCL415GA2B	Glass	220V - 240VAC	1x24W	5000K	0°C ~ +55°C	1940lm	15.8kg
CLSXCL425GA2	SXCL425GA2	Glass	220V - 240VAC	2x24W	5000K	-20°C ~ +55°C	3880lm	14.9kg
CLSXCL425GA2B	SXCL425GA2B	Glass	220V - 240VAC	2x24W	5000K	0°C ~ +55°C	3880lm	15.9kg

*Type number ending with "B" denotes emergency type luminaire with 3hr battery backup for sustained emergency lighting.
Maintained emergency lighting is also supported when luminaire is connected to both normal mains and emergency power supplies.