



1797426 Piezo Indicator - Slow Pulse Buzzer

SOUNDERS & BUZZERS

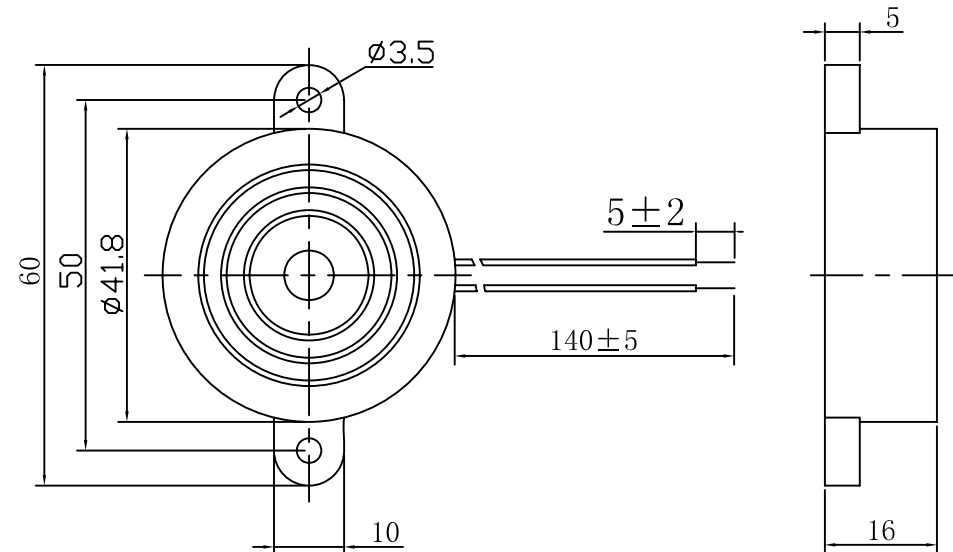
Specifications

1797426

Rated voltage	12VDC
Operating voltage	3~28VDC
Rated current*	≤9mA
Sound output at 30cm*	≥90dB
Resonant frequency*	2800±500Hz
Tone	Slow Pulse 1.2±30%Hz
Operating temperature	-20~+60°C
Storage temperature	-30~+70°C
Weight	15g

*Value applying at rated voltage (DC)

All data at 25°C unless otherwise specified



Features

- ROHS compliant
- Housing material: ABS black
- Lead wire: UL1007 AWG24

Dimensions Unit: mm Tolerance: ±0.5mm