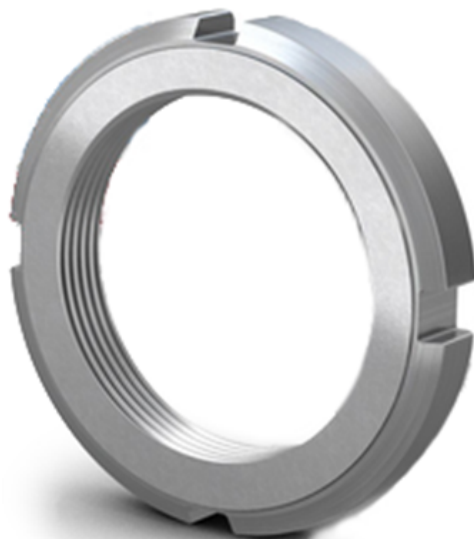


## Datasheet

# RS PRO Lock Nut M60x2mm

Stock No: 196-4152



### Technical Specifications:

Id (mm)	60
Od (mm)	80
Width (mm)	11
Material	Steel

## Features & Benefits:

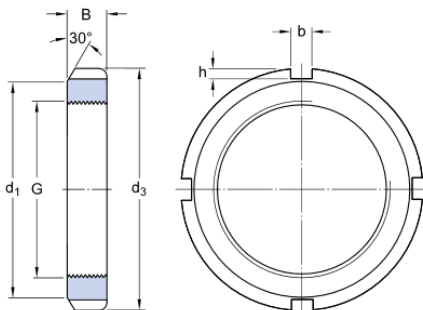
Locknuts are used to locate bearings on to a shaft. Additionally, they can be used to mount bearings with a tapered bore onto a tapered shaft seats and adapter sleeves, and to dismount bearings from withdrawal sleeves.

Lock Nuts with integral locking reduce the cost of the shaft as no keyway is required.

Installation is quicker and easier because no separate device is necessary.

## Dimensional line drawings

### Dimensions



G	M 65x2	
d <sub>3</sub>	85	mm
B	12	mm
d <sub>1</sub>	79	mm
b	7	mm
h	3	mm

### Calculation data

Axial static load carrying capacity 108 kN

### Mass

Mass lock nut 0.19 kg