

Datasheet

# RS Pro Power Inductors



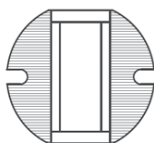
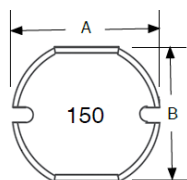
## Features:

- High current, small size (up to 4 Amps)
- Surface mountable construction
- High inductance (up to 820 $\mu$ H)
- Taped and reeled for automatic insertion
- For use in DC/DC converter, DC/AC inverters
- Pb-Free compatible

<b>Case Size</b>	43
<b>Inductance Range</b>	1 ~ 680 $\mu$ H
<b>Inductance Tolerance</b>	-55°C ~ +85°C
<b>Ambient Operating Temperature Range</b>	+125°C
<b>Maximum Component Temperature (Ambient + Self-Heating)</b>	+40°C
<b>Inductance Change at Isat</b>	-35% typical
<b>Temperature Raise at Irms</b>	$\pm$ 20% (M), $\pm$ 30% (Y)
<b>Resistance to Solder Heat</b>	+250°C for 10 seconds

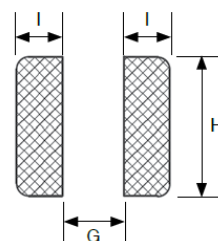
**Dimensions:**

Size	A	B	C	G (Ref)	H (Ref)	I (Ref)
43	4.50 ± 0.3	4.00 ± 0.3	3.20 ± 0.3	1.5	4.5	1.75



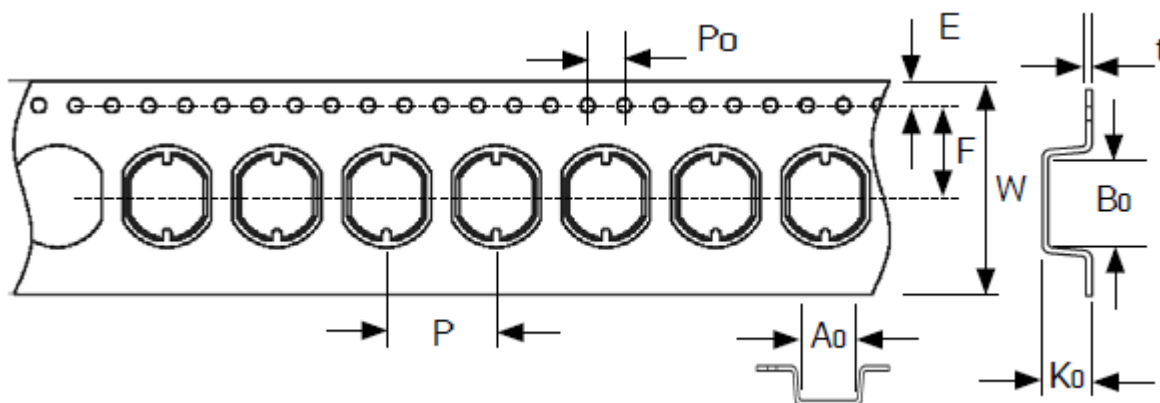
Termination Plating  
Sn 96.5% - Ag 3.0% - Cu 0.5%

**REFLOW SOLDERING  
LAND PATTERN**

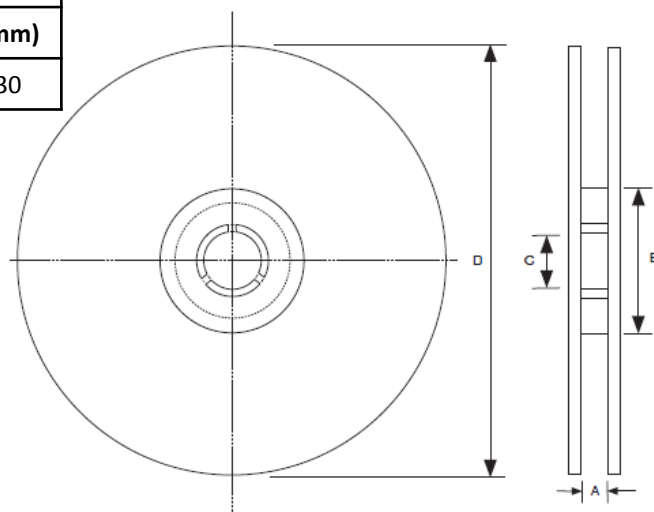


Stock No.	Standard Values - Case Size 43 (4.5 x 4.0 x 3.2mm)			
	Inductance Value (µH)	DC Resistance (Ω)	DC Current Isat/Irms (Amps)	Test Frequency
7409356	1.0 ± 20%	0.03	4.0	100KHz*
7409362	2.2 ± 20%	0.06	2.6	
7409375	3.3 ± 20%	0.07	2.0	
7409372	4.7 ± 20%	0.08	1.9	
7409397	10 ± 20%	0.19	1.1	1KHz*
7409390	12 ± 20%	0.21	1.1	
7409407	22 ± 20%	0.35	0.80	
7409410	33 ± 20%	0.6	0.70	
7409417	47 ± 20%	0.8	0.60	
7409429	68 ± 20%	1.0	0.50	1KHz
7409439	150 ± 20%	2.0	0.20	
7409454	330 ± 20%	4.0	0.14	
7409451	470 ± 20%	6.0	0.12	
7409460	560 ± 20%	7.0	0.10	

Chip Size	Carrier Tape Dimensions (mm)								
	Bo	Ao	Ko	P	W	E	F	Po	t
43	4.6±0.1	4.1±0.1	3.6±0.1	8.0±0.1	12.0±0.1	1.75±0.1	5.5±0.1	4.0±0.1	0.40±0.05



Tape Width	Reel Dimensions (mm)			
	A(mm)	B(mm)	C(mm)	D(mm)
12mm	13.5 ±0.5	100 ±1	13 ±0.5	330



Size	Reel Quantity (330mm Reel)
Qty./Reel	2000
Tape Width	12mm