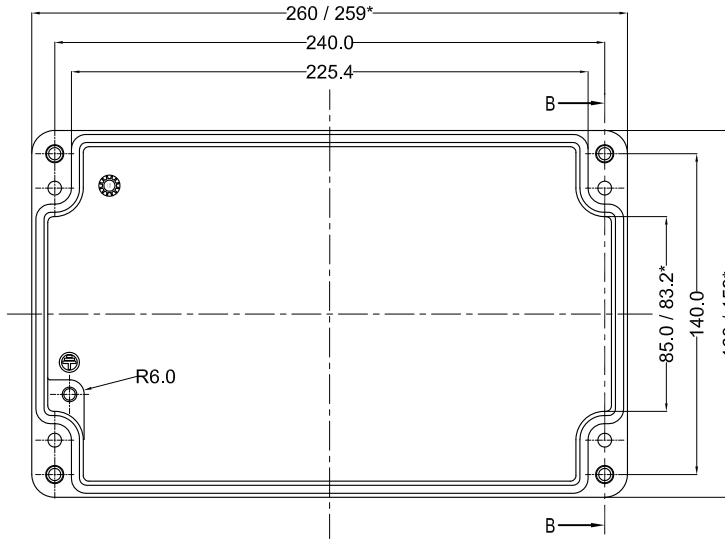
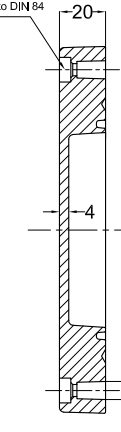


* = Conical form tapering downward.
 Untoleranced dimensions per GTA 13/5 DIN 1688

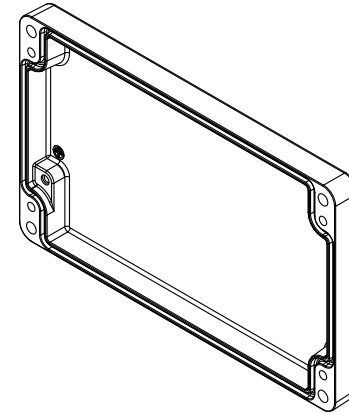
LID



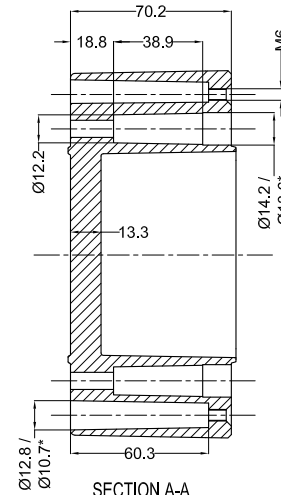
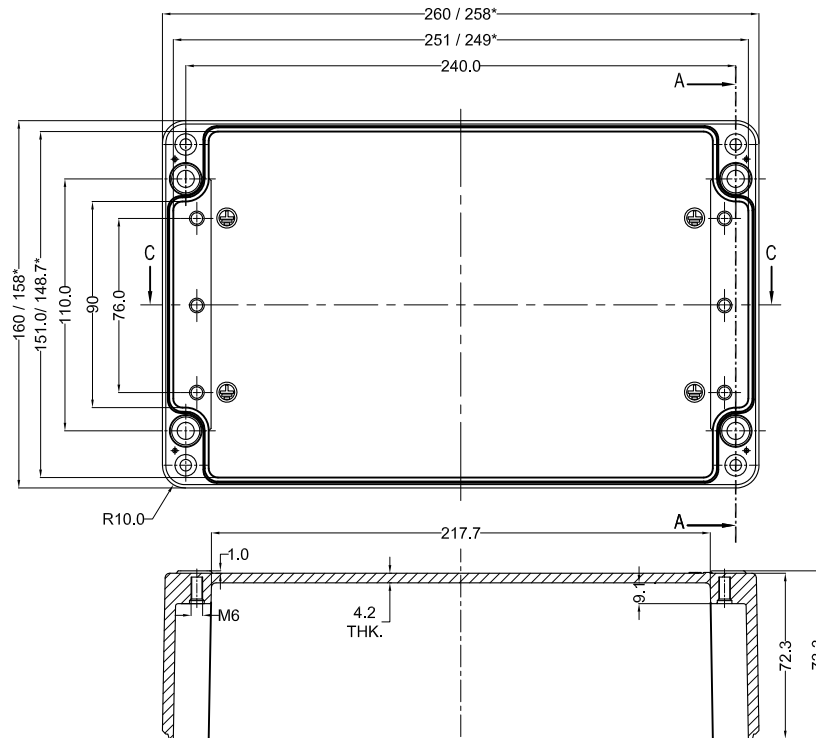
Cylinder Screw
 M6 x 25/10 similar to DIN 84



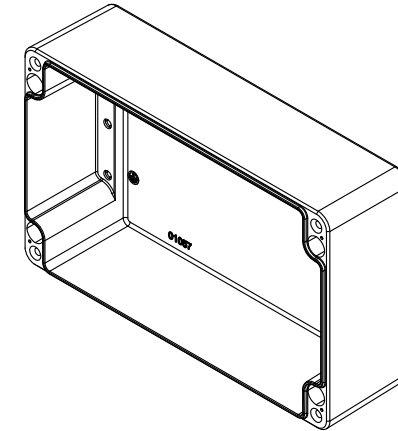
SECTION B-B



BASE



SECTION A-A



SECTION C-C



QUANTITY 1	MATERIAL :- AISI12 DIN230	MACH.NAME -	DATE 08-06-12	SIGN MANOJ	NAME DRAWN
TOLERANCE ±0.2 DIMENSIONS ±0.2 HOLES ±1.0° ANGLES		WEIGHT: - FINISH: NATURAL	TITLE :- JUNCTION BOX 260 x 160 x 90		DATE 08-06-12
			SCALE	PARTNO.	0
			REV	DRG. NO. 0 AJB-26016090	