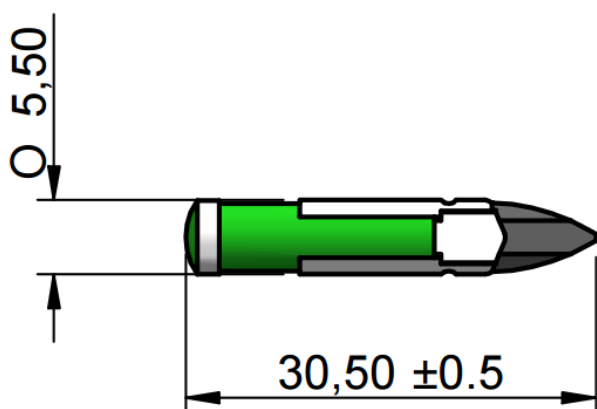


Datasheet

LED Indicator Lamp

RS ITEM NO 210-305



LED/Multiled	<i>Multi LED</i>	Optimum voltage (V)	<i>28vdc</i>	Intensity	<i>90mcd</i>
Mounting Size	<i>T5.5</i>	Rectifier			
Mounting Finish		AC current			
Protection		DC current	<i>15mA</i>		
Mount Holder	<i>T5.5 Slide</i>	Voltage Tolerance(%)	<i>10%</i>		
Chip Qty	<i>6</i>	Optimum temperature (°C)	<i>-30°C...+60°C</i>		
Indicator colour	<i>Green</i>	Storage temperature (°C)	<i>-30°C...+60°C</i>		
Wavelength (nm)	<i>565</i>	Contact Tab x 2	<i>T5.5 Slide Base</i>		



*Dimension in mm (typical), not to scale.
We reserve the right to make changes without further notice to this product to improve reliability, function or design.*