

Datasheet


**Stock No: 121-7795, 121-7796**

**RS Pro 4PCO Industrial Relay**

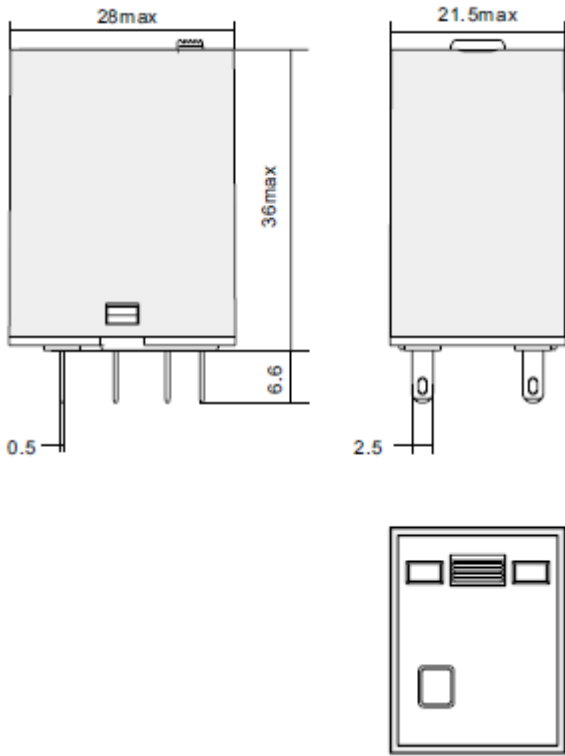


### **Specifications:**

- 4 Pole 5A Industrial Plug-in Relay
- Double side LED integrated in relay
- Test button and inspection window
- Sealed base with LED indicator
- Conformity with RoHs directive

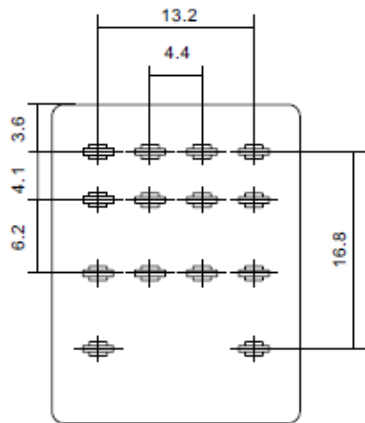
RS Stock No		121-7795	121-7796
<b>Characteristics</b>			
Nominal Voltage		12VDC	24VDC
Contact	Configuration	4 Pole	
	Rated Current AC-1	5A/250VAC, 30Vdc	
	Rated Voltage AC-15	1/3HP, 240VAC, 1/6HP, 240VAC	
	Switching Capacity (resistive)	1250VA, 150W	
	Initial Contact Resistance	≤50mΩ	
	Material	Ag alloy	
	Electrical Durability	≥10 <sup>5</sup> times (1800 Ops/h)	
	Mechanical Durability	≥10 <sup>7</sup> times (18000 Ops/h)	
Pick-up Voltage (23°C)		DC: ≤75% rated voltage, AC: ≤80% rated voltage	
Drop-out Voltage (23°C)		DC: ≥10% rated voltage, AC: ≥30% rated voltage	
Maximum Voltage (23°C)		110% rated voltage	
Insulation resistance		≥500mΩ (500VDC)	
Coil Operating Power	DC (W)	0.9	
	AC (VA)	1.2	
Operating Time (at nominal voltage)		≤20ms	
Release Time (at nominal voltage)		≤20ms	
Initial Breakdown Voltage	Between open contacts	1000VAC/1min	
	Between Poles	1500VAC/1min	
	Between contacts and coil	2000VAC/1min	
Ambient Temperature		-55~+70°C	
Humidity		35%~85%RH	
Air Pressure		86~106KPa	
Shock Resisance		10G	
Vibration Resistance		10~55Hz double-amplitude: 1.0mm	
Mounting		Plug-in	
Unit Weight		35g	
Certification			

Mounting Dimensions (mm)

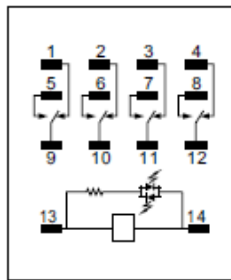


Schemes

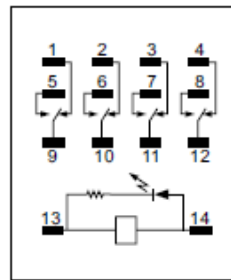
4 Pole



DC



AC



DC-D

