

Product description

Electric pump DS

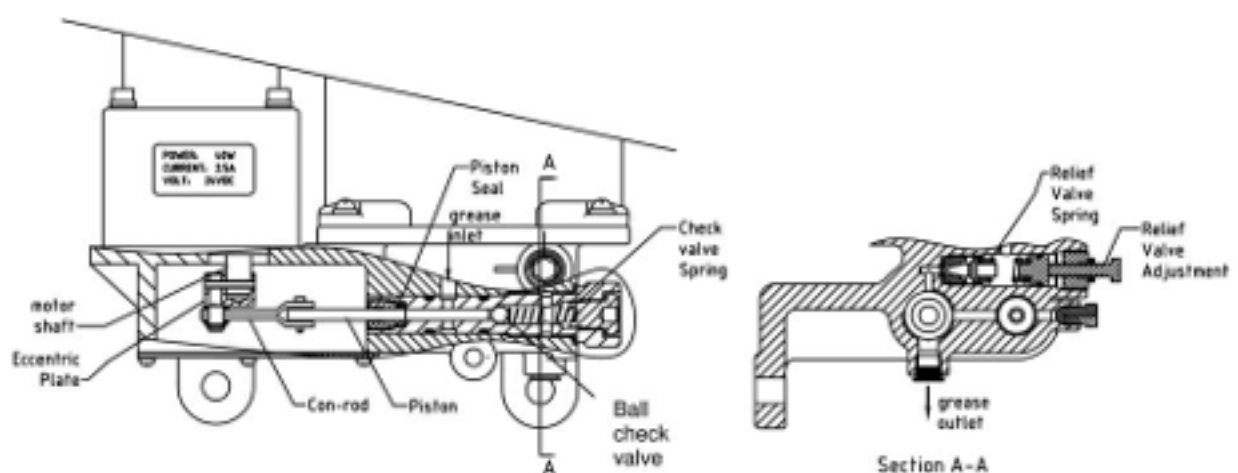
DESCRIPTION

The DS pump is a 24V DC electrically operated, piston pump, intended for pumping lubricating grease in small progressive systems. With its compact design, and disposable grease cartridge, it will integrate into a machine tool perfectly.

OPERATION

As the motor rotates, the eccentrically mounted connecting rod, moves the piston in a reciprocating motion. The stroke of the piston, and hence the delivery of the pump, is dictated by the degree of offset on the eccentric plate. As the piston moves forward, the grease in the metering chamber is pushed forward. Once the piston passes the grease inlet hole, the remaining grease is pushed through the check valve, and out into the main lubrication line.

Three returns of the piston draws in grease from the reservoir, while the check valve prevents any grease from being sucked back through the outlet. A pressure relief valve opens at a set pressure, preventing over pressurising of the system by relieving the grease back into the reservoir.



FOVAC[®] BLT GREASE EP 2

DESCRIPTION

FOVAC[®] BLT Grease EP2 is a multi-purpose, extreme pressure anti-wear grease that is especially formulated for use in all types of heavy duty automotive, construction, factories, mining, farming and industrial equipment that are being used under adverse conditions of excessive pressure, high shock loading, extreme hot and cold temperatures and moisture. **FOVAC[®] BLT** has excellent rust and oxidation inhibiting characteristics, excellent water resistance, shear and mechanical stability, and good pumpability properties. **FOVAC[®] BLT** also has superior cohesive and adhesive properties. Because of these cohesive and adhesive properties, **FOVAC[®] BLT** will not wash out, pound out, splatter or squeeze out even under the heaviest loads or vibrations.

FOVAC[®] BLT is compounded from the finest select high viscosity index paraffin base stocks and lithium complex thickener that allows the **FOVAC[®] BLT** to exhibit excellent flow and film forming characteristics. It also has excellent pumpability characteristics that is a prerequisite for use in centralized lube systems.

FEATURES

- *Excellent resistance to water washout and water spray-off.*
- *Excellent shear and mechanical stability.*
- *Excellent anti-wear and extreme pressure load carrying properties.*
- *Excellent rust and oxidation inhibiting characteristics.*
- *Excellent resistance to oxidation.*
- *A high dropping point.*
- *Low temperature pumpability characteristics.*

SPECIFICATION

Grade NLGI	# 2
Thickener Type	Lithium Complex
Worked penetration @ 77° F	280
Timken OK Load (lbs,min)	60
Drop Point °C	185
Flash Point °C	280
Water Washout % Loss	2.0
Color	Green
Weld Point, kg	300



1kg FOVAC[®] BLT Grease collapsible cartridge

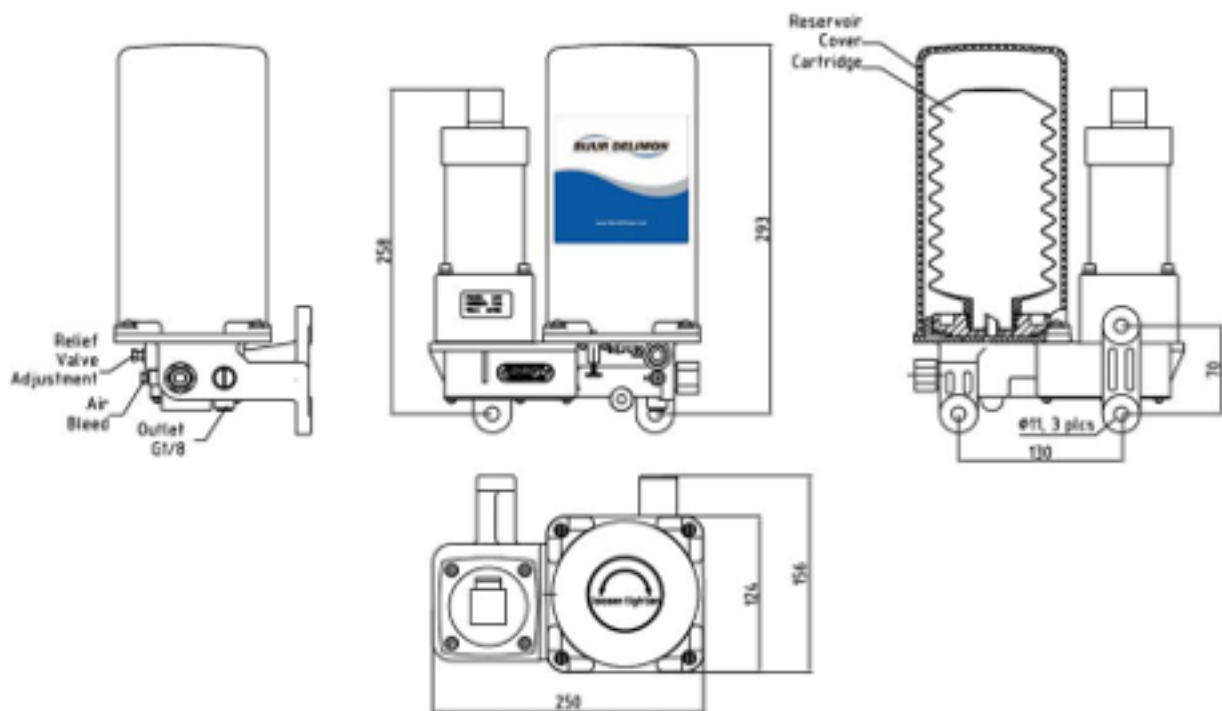
PACKING

FOVAC[®] BLT Grease comes in 1kg collapsible cartridge, 20 and 180 kg drums.

...

The foregoing technical information and recommendations are compiled from sources that are believed to be accurate and reliable. However, they are supplied without warranty or guarantee of any kind either expressed or implied. The purchaser is responsible for selecting and determining the suitability of products for purchaser's particular needs and we disclaim any responsibility for improper applications or misuse of our products in any manner whatsoever.

MECHANICAL DRAWING



MODEL	DESCRIPTION
DS-F	PUMP COMPLETE, 24VDC
DS-S	PUMP MOUNTED ON STAND, 24VDC
DS-TC	PUMP WITH TIMER CONTROL & STAND, 230VAC
DS-U4R	DISTRIBUTOR WITH 4 OUTLETS
DS-U6R	DISTRIBUTOR WITH 6 OUTLETS
DS-U8R	DISTRIBUTOR WITH 8 OUTLETS
DS-U10R	DISTRIBUTOR WITH 10 OUTLETS
DS-U12R	DISTRIBUTOR WITH 12 OUTLETS
**DS-BLTR	REFILL C/W BLT NLGI #2 LITHIUM COMPLEX GREASE

****NOTE: CARTRIDGE REFILL WITH SPECIAL TYPES OF GREASES ARE AVAILABLE ON REQUEST**

TOSHIO (S) PTE LTD
629 Aljunied Road, #08-13
Cititech Industrial Building
S389838,
Singapore
Tel +65 6743 1383
Fax +65 6743 3682

