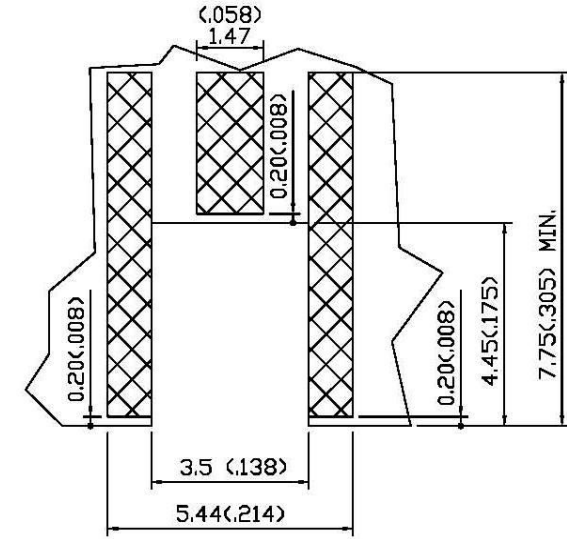
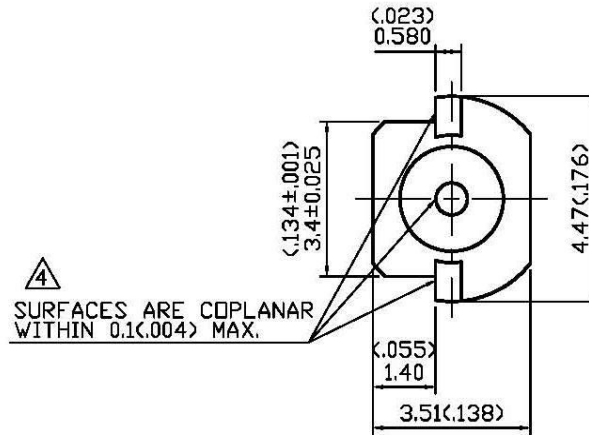
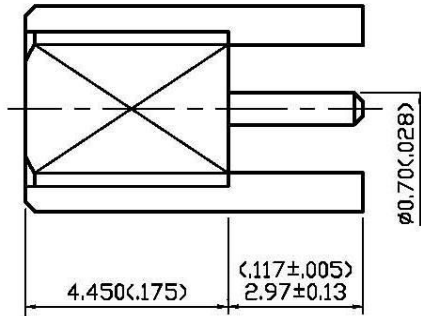
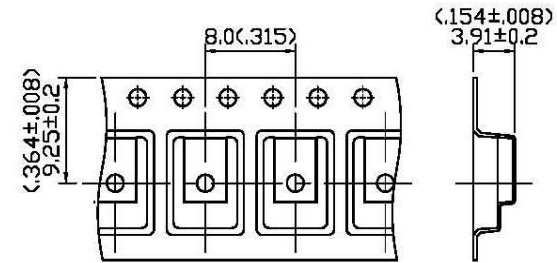


NO	DESCRIPTION	DATE
①	MODIFICATION PART ①	02.24.06'
②	ADD RECOMMENDED LAND PATTERN	03.30.09'
③	WORKING VOLTAGE — VOLTAGE RATING DEL PROOF VOLTAGE	11.08.13'
④	ADD REMARK	04.24.14'



② RECOMMENDED LAND PATTERN



TAPE AND REEL PACKAGING

SCALE 2:1

### 1.0 ELECTRICAL

- 1.1 FREQUENCY RANGE: DC-6 GHz
- 1.2 NOMINAL IMPEDANCE: 50 OHMS
- 1.3 VOLTAGE RATING: 250 VOLTS MAX. ③
- 1.4 VSWR: 1.22 MAX.

### 2.0 MATERIALS

- 2.1 BODIES: BRASS PER JIS-C3604
- 2.2 CENTER CONTACT: BERYLLIUM COPPER PER ASTM B196 UNS C17300
- 2.3 INSULATION: TEFLON PER ASTM D1457 AND ASTM D1710

### 3.0 FINISHES AND OTHERS

- 3.1 SEE BELOW TABLE FOR DETAILS.

### 4.0 MECHANICAL

- 4.1 INTERFACE IN ACCORDANCE WITH: BS EN 122340

### 5.0 ENVIRONMENTAL

- 5.1 OPERATING TEMPERATURE RANGE: -55° C TO +155° C

NO	DESCRIPTION	MATERIAL	Q'TY	FINISH
3	CENTER CONTACT	BERYLLIUM COPPER	1	GOLD 30 μ" MIN.
2	INSULATION	TEFLON	1	NONE
1	BODY	BRASS	1	GOLD 3 μ" MIN.



APPROVED by \_\_\_\_\_ DATE: \_\_\_\_\_

DESCRIPTION		MMCX STRAIGHT EDGE MOUNT JACK RECEPTACLE						
製圖	DRAWN	TOLERANCE	品名	37-06-2 T.G.G	日期	DATE	版次	REV.
	Kristina	.X ±0.2	TITLE	\ROHS COMPLIANT (50Ω)	09.18.00'		B-4	
檢圖	CHECK	.XX ±0.1	單位	mm(in)	DWG.NO.	37-0010		
	Arc	.XXX ±0.05	比例	SCALE				
認定	APPROVAL	ANGLE ±5°	比例	8:1				
	Angela							