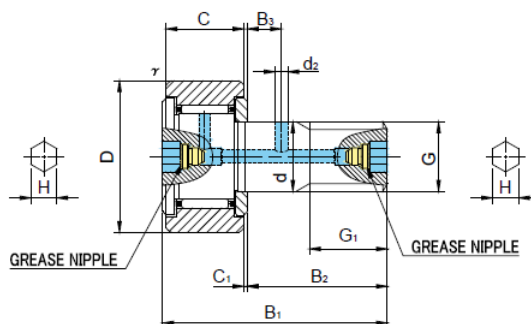


Datasheet

Stock No: 2346947

RS PRO Standard Type Cam Follower, Crowned Outer, Steel



Standard Type Cam Follower, Crowned Outer, Steel

Specifications:

Basic dimensions

Outer diameter [D]	30 mm
Outer width [C]	14 mm
Stud diameter [d]	12 mm
Thread size [G]	M12 X 1.5
Thread length [G1]	13 mm
Overall length [B1]	40 mm
Stud length [B2]	25 mm

Physical properties

Load rating dynamic [Cr]	7940 n
Load rating static [C0r]	9800 n
Limiting speed grease	14000 rpm

Other data

Weight	0.0950 kg
--------	-----------