

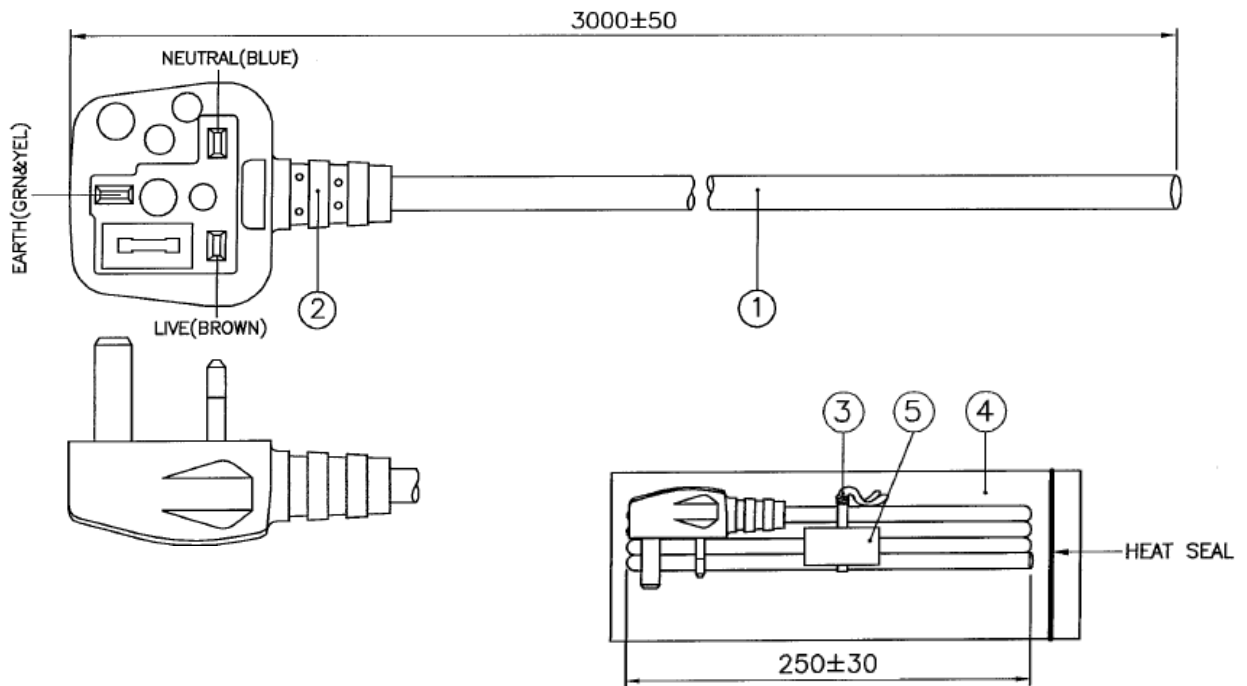
Datasheet

British Power Supply Cord

RS Stock number 909-2193

Note:

- All dimensions in mm.
- The cord shall comply with EN 50525-2-11.
- The molded plug shall comply with BS 1363-1.



S/N	Description	Item Number	Qty.
1	H05W-F 3x1.00 blk PVC lead free	1210365	1
2	Molded Plug MP5004 (10A 250V)	MP5004-3	1
	IP60G NL7976B blk	4100115	-
	Fuse 10A	6210005	1
	Fuse 10A (cap with nickel plating)	6210013	OR
3	8" PE Tie blk	6310062	1
4	Bag PE Tie blk	904125	1
5	Printed label	VL-0538	1