

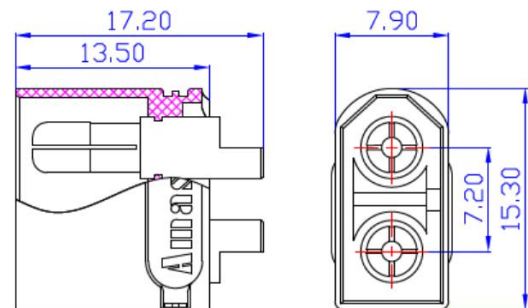


Datasheet

RS PRO XT60U Male Connector

Stock number: 180-5365

EN



Section

Material & Parameter

Recommend USE: Battery/ Controller

Color: Yellow

Metal Material: Brass Gold Plated

Plastic Material: PA

FR Level: UL94 V0

Cable Spec: 12AWG

Certification: UL

Contact Resistance: 0.45mΩ

Rated Voltage: DC 500V

Rated Current: 30A

Momentary Current: 60A

Use Times: 1000 TIMES

Use Temperature: -20°C to 120°C

Remark: Data sheet will change according with the test background