



EN



## Datasheet

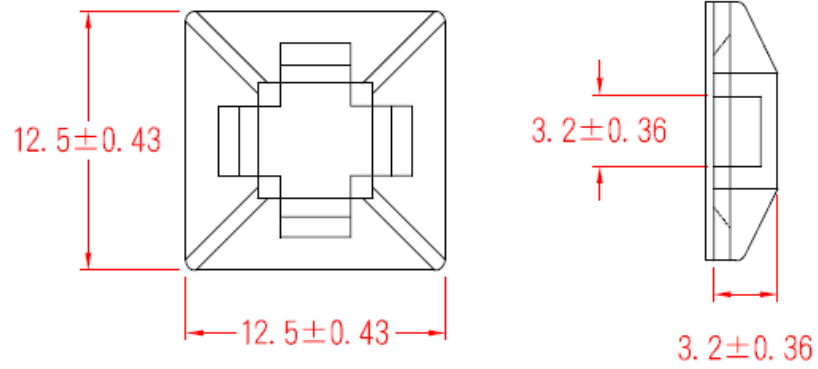
### RS PRO Self-Adhesive Cable Tie Mount

Stock No. 666-751 385-3885 811-1723 131-0242 227-996 359-2063  
811-1726 219-875 131-0250 131-0251 131-0245 190-3326 629-2514  
190-3354 730-0335 131-0252



#### SPECIFICATION

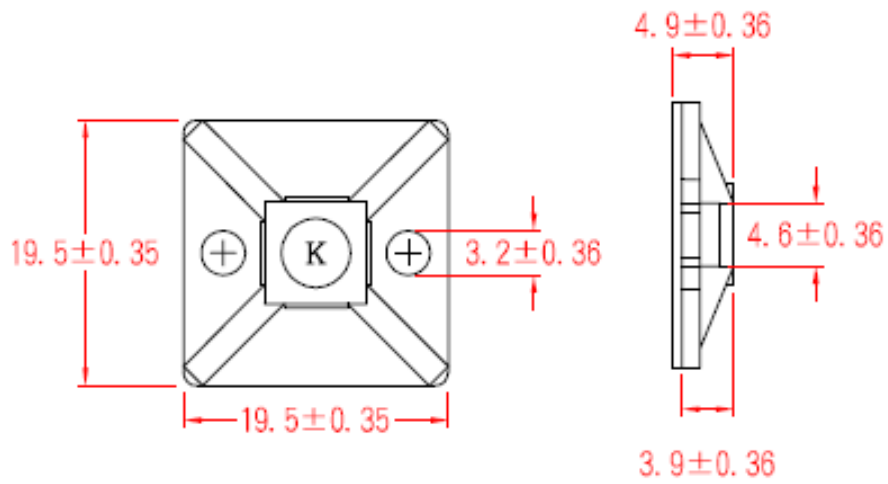
- Material: UL approved Nylon 66, 94V-2 with adhesive tape.
- Color: Natural and black
- SELF-ADHESIVE TIE MOUNTS is designed to support light weight wire bundles when properly applied on any clean, smooth, grease-free surface. For heavy support, mounting hole is provided for screws.
- To apply, simply peel off liner and apply mount to surface. After that, cable ties can be inserted to secure wire bundles.



Unit: mm

RS ITEM NO.	L	W	H	T	Color	Packing
666751	12.5	12.5	3.2	3.2	Natural	50PCS
2040240						100PCS
8111723					Black	50PCS
2040249						100PCS

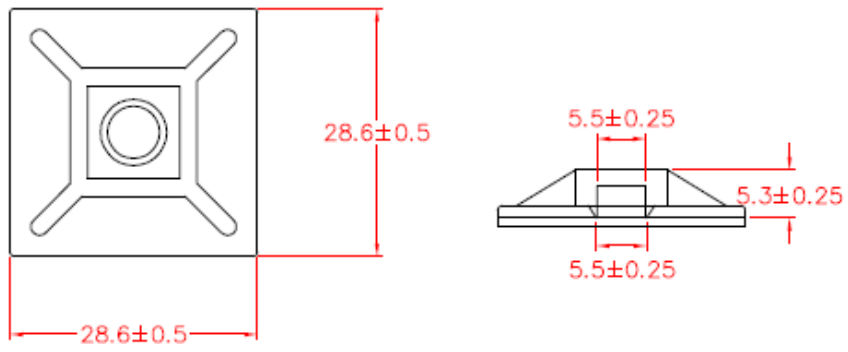
\*\* 4pcs on a strip (Simply peel off backing paper)



Unit: mm

RS ITEM NO.	L	W	H	T	Color	Packing
227996	19.5	19.5	3.9	4.6	Natural	50PCS
2040243						100PCS
8111726					Black	50PCS
2040241						100PCS
2040242						10PCS

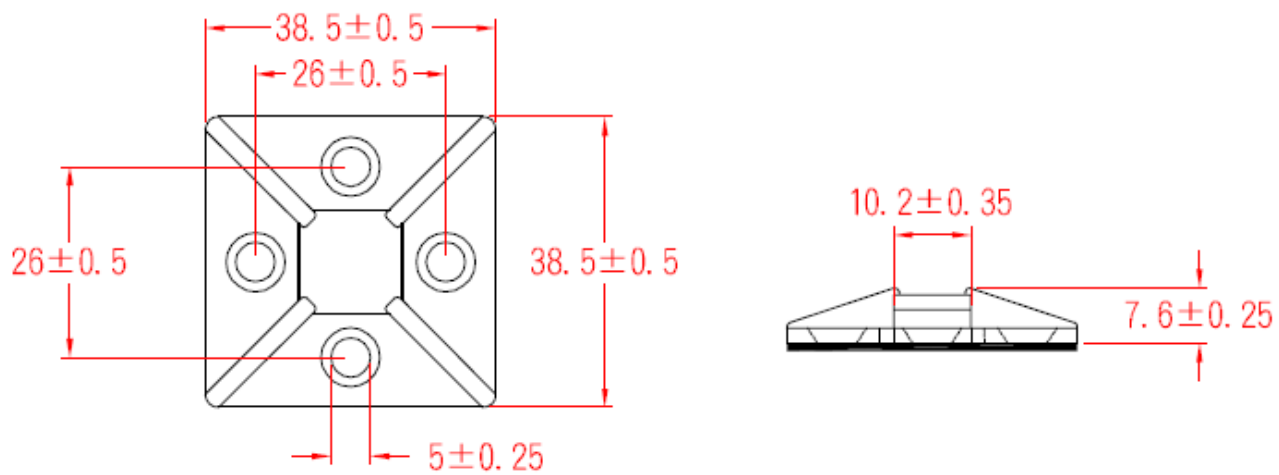
\*\* 2pcs on a strip (Simply peel off backing paper)



Unit: mm

RS ITEM NO.	L	W	H	T	Color	Packing
2040245	28.6	28.6	5.3	5.5	Black	10PCS
2040244						100PCS
2040247					Natural	100PCS

\*\* 2pcs on a strip (Simply peel off backing paper)



Unit: mm

RS ITEM NO.	L	W	H	T	Color	Packing
6292514	38.5	38.5	7.6	10.2	Natural	50PCS
2040248					Natural	100PCS
7300335					Black	100PCS
2040250					Black	10PCS