



1797428 ELECTRO MECHANICAL TRANSDUCER

SOUNDERS & BUZZERS

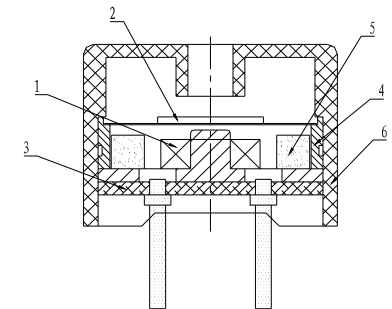
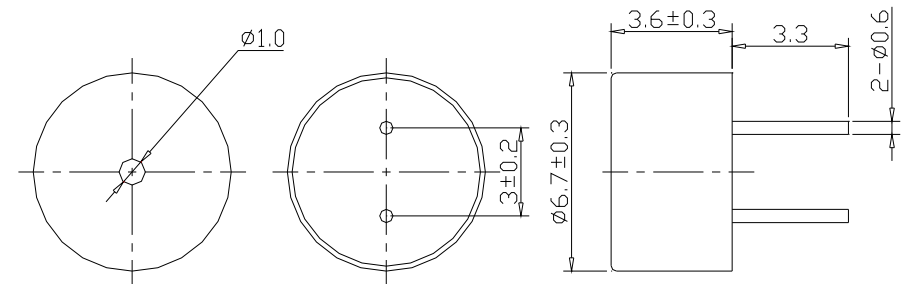
Specifications

1797428

Rated voltage(Vp-p square wave)	3Vp-p
Operating voltage	2Vp-p -4Vp-p
Rated current*	≤150mA
Sound output at 3000Hz at 10cm*	≥70dB
Resonant frequency*	3000Hz
Coil resistance	8±2Ω
Operating temperature	-30~+70°C
Storage temperature	-40~+85°C
Weight	1g

*Value applying at rated voltage (AC)

Requires additional electronic circuitry to operate as a sounder



- 1. Coil part - Copper and Iron
- 2. Diaphragm - Iron
- 3. PCB
- 4. Core - Ferrite
- 5. Base ring - Copper
- 6. Housing - Noryl

Features

- ROHS compliant
- Black in colour
- Wave solderable, not washable
- Lead pin material: Red copper (DSn)

All data at 25°C unless otherwise specified

Dimensions Unit: mm Tolerance: ±0.5mm