

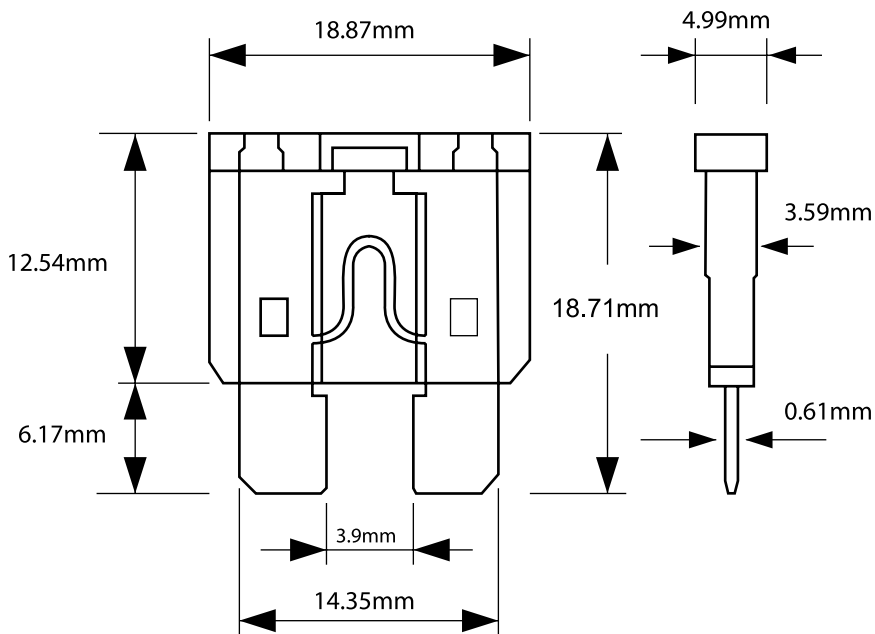
# Blade Fuse 32V

**multicomp** PRO

**RoHS  
Compliant**



## Diagram



Electrical Characteristics			
% of Ampere Rating	Current Rating	Operating Time	
		Min.	Max.
110%	2 to 40 Amp	100 Hours	-
135%		0.75 Sec.	1800 Sec.
200%		0.15 Sec.	5 Sec.
350%		0.08 Sec.	0.25 Sec.

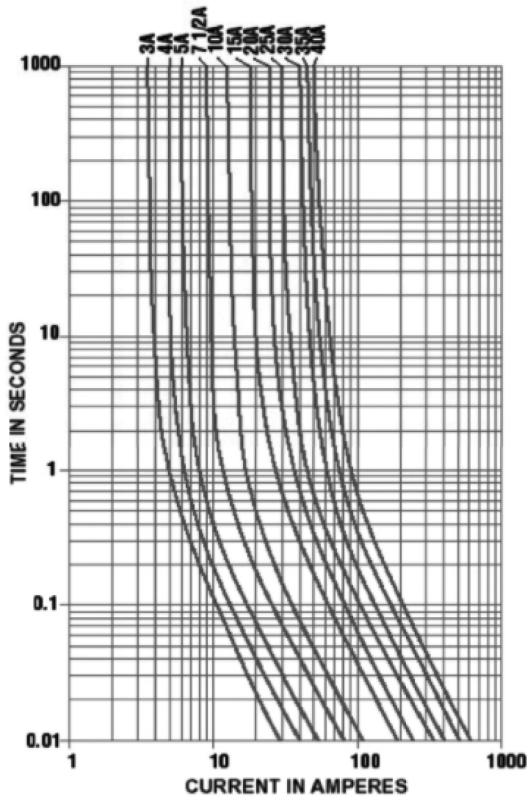
Dimensions : Millimetres

Newark.com/multicomp-pro  
Farnell.com/multicomp-pro  
sg.element14.com/b/multicomp-pro

**multicomp** PRO

# Blade Fuse 32V

## Average Time Current Curve



## Part Number Table

Description	Colour	Part Number
Blade Fuse, 32V, 3A	Violet	MP010293
Blade Fuse, 32V, 4A	Pink	MP010294
Blade Fuse, 32V, 5A	Tan	MP010295
Blade Fuse, 32V, 7.5A	Brown	MP010296
Blade Fuse, 32V, 10A	Red	MP010297
Blade Fuse, 32V, 15A	Blue	MP010298
Blade Fuse, 32V, 20A	Yellow	MP010299
Blade Fuse, 32V, 25A	Natural	MP010300
Blade Fuse, 32V, 30A	Green	MP010301
Blade Fuse, 32V, 2A	Grey	MP010302
Blade Fuse, 32V, 40A	Orange	MP010303
Blade Fuse, 32V, 1A	Black	MP010304

**Important Notice :** This data sheet and its contents (the "Information") belong to the members of the AVNET group of companies (the "Group") or are licensed to it. No licence is granted for the use of it other than for information purposes in connection with the products to which it relates. No licence of any intellectual property rights is granted. The Information is subject to change without notice and replaces all data sheets previously supplied. The Information supplied is believed to be accurate but the Group assumes no responsibility for its accuracy or completeness, any error in or omission from it or for any use made of it. Users of this data sheet should check for themselves the Information and the suitability of the products for their purpose and not make any assumptions based on information included or omitted. Liability for loss or damage resulting from any reliance on the Information or use of it (including liability resulting from negligence or where the Group was aware of the possibility of such loss or damage arising) is excluded. This will not operate to limit or restrict the Group's liability for death or personal injury resulting from its negligence. Multicomp Pro is the registered trademark of Premier Farnell Limited 2019.