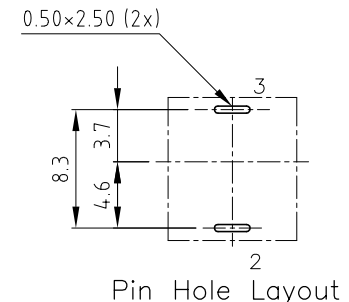
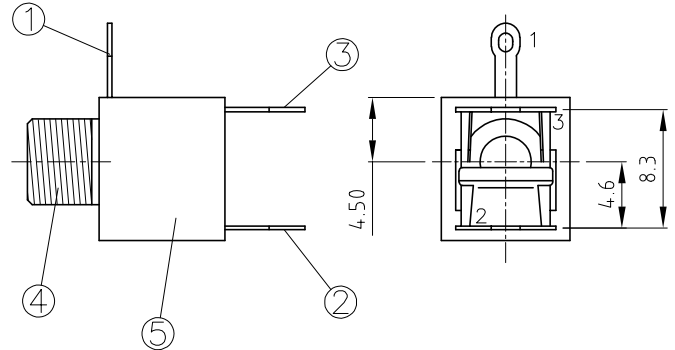
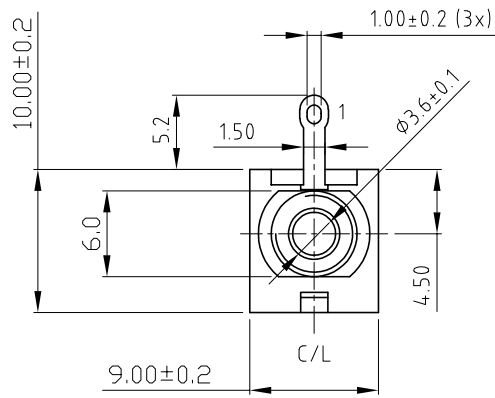
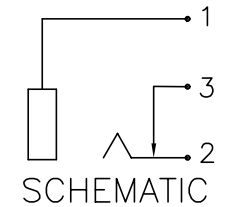
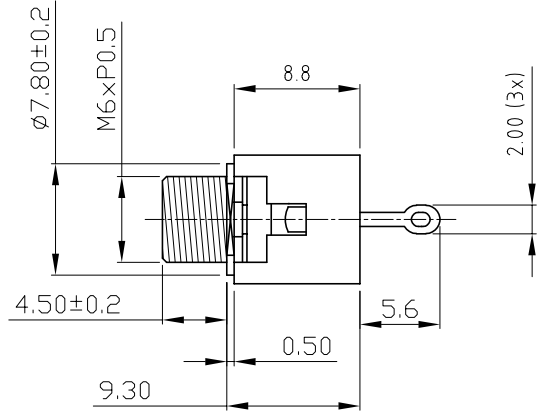
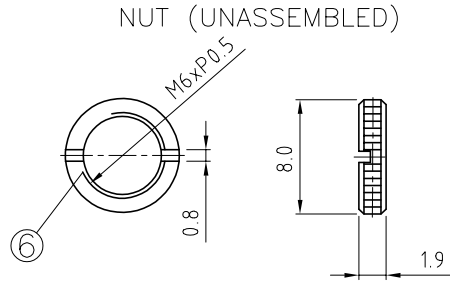


ISS.	AMEND	DATE
1	REDRAWN	09/07/90
2	UPDATED	30/03/15
3	UPDATED DIMS+MAT.	16/07/21



6.	M6 Nut	Brass	1	Nickel Plated
5.	Housing	PBT 4815 UL-94 V0	1	Black
4.	Nose	Brass	1	Nickel Plated
3.	Ring Spring	0.3T Brass	1	Silver Plated
2.	Tip Spring	0.25T Phosphor Bronze	1	Silver Plated
1.	Earth Terminal	0.3T Brass	1	Silver Plated
No.	Description	Material	Qty	Finish

SPECIFICATIONS
 Contact Resistance : 30mΩ max
 Insulation Resistance : 100MΩ min. at DC 500V
 Dielectric Withstanding Voltage: AC 500V for one minute
 TOLERANCE :±0.3mm UNLESS OTHERWISE SPECIFIED

RoHS COMPLIANT

TOLERANCE
 NO DEC. PLACE ±
 1 DEC. PLACE ±
 2 DEC. PLACE ±
 HOLE Ø ±
 ANGLES ±
 UNLESS OTHERWISE STATED



DIMENSIONS IN MILLIMETERS UNLESS OTHERWISE STATED. WORK TO DIMENSIONS. REMOVE ALL BURRS. IF IN DOUBT ASK.		3rd ANGLE PROJECTION:	DO NOT SCALE
MATERIAL: SEE TABLE		TITLE: Ø3.5mm MONO JACK SOCKET (JYO-35)	
FINISH: SEE TABLE		RS Stock- No.: 913-1027	
DRAWN: C.A.M.T.	APPROVED: R.W.T.	FORM: A4DRWGH	