



ENGLISH

RS Pro DC Radial Blower

ODB5115 Series

DC Fan - 12V
51 x 15mm (2.0 x .59in)

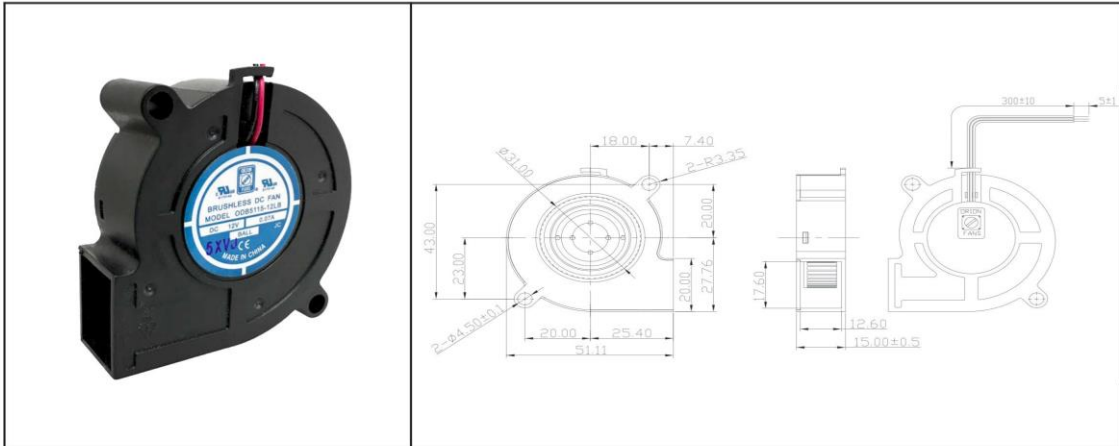


Model #	Pg #	Voltage	RPM	CFM	Noise Level	Max Static Pressure
ODB5115-12HB	2	12 VDC	5500	4.2	38 dB	.50 H ₂ O
ODB5115-12LB	3	12 VDC	3500	2.4	32 dB	.20 H ₂ O
ODB5115-12MB	4	12 VDC	4500	3.3	37 dB	.35 H ₂ O



ODB5115-12HB

DC Blower, 12VDC
51x15mm (2x.59in)



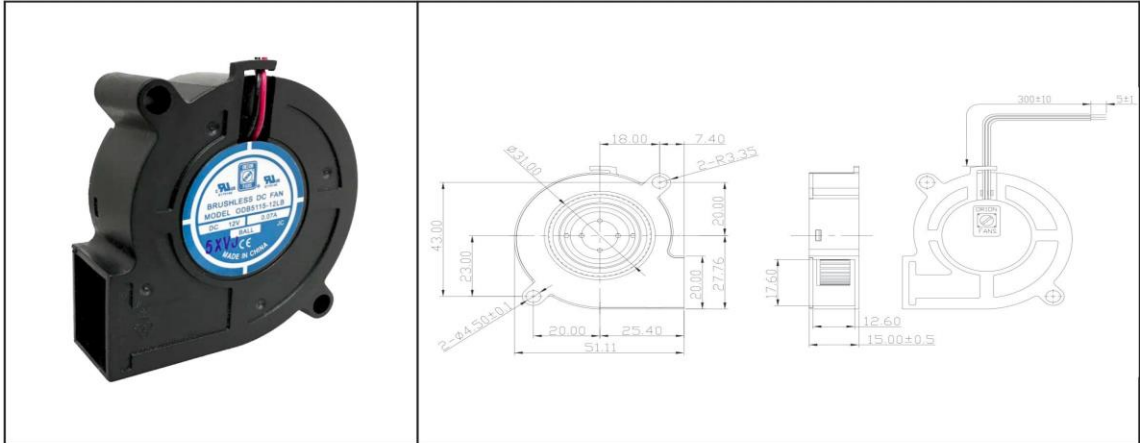
Frame & Impeller	PBT, UL94V-0 plastic	<u>Available Options</u> IP55 Other speeds and voltages Tachometer *Connection: Wire Leads - UL1007 28AWG Red(+), Black (-), Weight: 27 g	
Connection	2x Lead wires *		
Motor	Brushless DC, auto restart, polarity protected.		
Bearing System	Dual ball bearing		
Insulation Resistance	Min. 10M at 500VDC		
Dielectric Strength	1 second at 500VAC max leakage 500 microamp		
Temperature Range	-10C ~ +70C		
Storage Temperature	-40C ~ +80C		
Life (L10)	70,000 hours (40C)		

Model Number	ODB5115-12HB
Part Number	105141001
Nominal Voltage	12 VDC
Voltage Range	7 ~ 13.2 VDC
Nominal Current	.12 A
Rated Power	1.92 Watts
Rated Speed (RPM)	5500
Airflow (CFM)	4.2
Noise Level (dB)	38
Max. Static Pressure	.50 "H ₂ O



ODB5115-12LB

DC Blower, 12VDC
51x15mm (2x.59in)



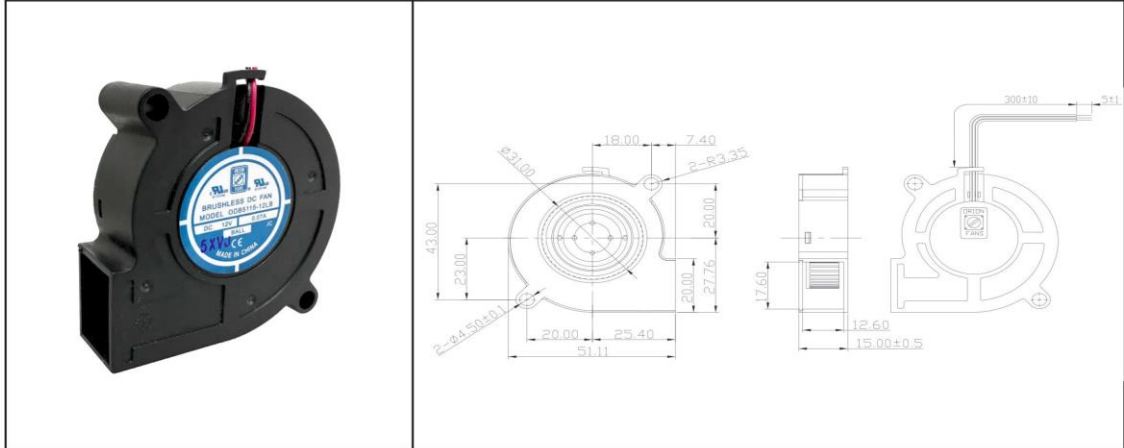
Frame & Impeller	PBT, UL94V-0 plastic	<u>Available Options</u> IP55 Other speeds and voltages Tachometer *Connection: Wire Leads - UL1007 28AWG Red(+), Black (-), Weight: 27 g	
Connection	2x Lead wires *		
Motor	Brushless DC, auto restart, polarity protected.		
Bearing System	Dual ball bearing		
Insulation Resistance	Min. 10M at 500VDC		
Dielectric Strength	1 second at 500VAC max leakage 500 microamp		
Temperature Range	-10C ~ +70C		
Storage Temperature	-40C ~ +80C		
Life (L10)	70,000 hours (40C)		

Model Number	ODB5115-12LB
Part Number	105121001
Nominal Voltage	12 VDC
Voltage Range	7 ~ 13.2 VDC
Nominal Current	.045 A
Rated Power	.84 Watts
Rated Speed (RPM)	3500
Airflow (CFM)	2.4
Noise Level (dB)	32
Max. Static Pressure	.20 "H ₂ O



ODB5115-12MB

DC Blower, 12VDC
51x15mm (2x.59in)



Frame & Impeller	PBT, UL94V-0 plastic	Available Options IP55 Other speeds and voltages Tachometer *Connection: Wire Leads - UL1007 28AWG Red(+), Black (-), Weight: 27 g	
Connection	2x Lead wires *		
Motor	Brushless DC, auto restart, polarity protected.		
Bearing System	Dual ball bearing		
Insulation Resistance	Min. 10M at 500VDC		
Dielectric Strength	1 second at 500VAC max leakage 500 microamp		
Temperature Range	-10C ~ +70C		
Storage Temperature	-40C ~ +80C		
Life (L10)	70,000 hours (40C)		

Model Number	ODB5115-12MB
Part Number	105131001
Nominal Voltage	12 VDC
Voltage Range	7 ~ 13.2 VDC
Nominal Current	.08 A
Rated Power	1.44 Watts
Rated Speed (RPM)	4500
Airflow (CFM)	3.3
Noise Level (dB)	37
Max. Static Pressure	.35 "H ₂ O