

Splash Proof Switches

multicomp PRO

**RoHS
Compliant**



MP005728



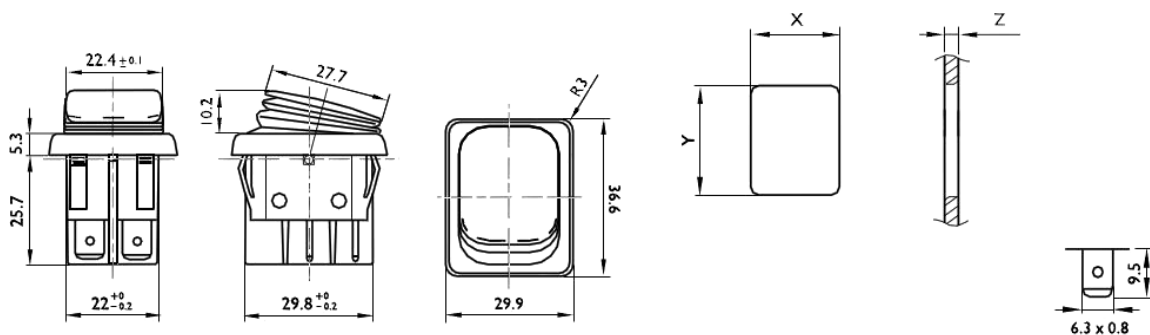
MP005729



MP005730



MP005731



Termination

Typical Applications	Outdoor Electrical Equipments, Pumps, high pressure cleaners
Functions	SPST, DPST, Illuminated or Not DPCO
Protection Degree	IP 65
Cycle No.	50.000
Cut Out	30mm x 22mm
Ambient Temperature	120°C
GWT	850°C
GWT No Flame (<2Sec)	750°C on Demand

Cut Out		
Z	Y	X
0.75-1.25	30.2 ± 0.1	
1.25-2	30.6 ± 0.1	22 + 0.2 - 0
2-3	30.8 ± 0.1	

Specifications Table

Part Number	Rating	Actuator Colour	Body Colour	Marking	Switch Action	Illumination Type
MP005728	16(6)A / 250V AC	Black	Black	I O II	DPST Latching	Non-illuminated
MP005729	16(8)A / 250V AC	Red		-		Illuminated Fluorescent Coating
MP005730		Green		0 I		Non-illuminated
MP005731		Black				

Important Notice : This data sheet and its contents (the "Information") belong to the members of the AVNET group of companies (the "Group") or are licensed to it. No licence is granted for the use of it other than for information purposes in connection with the products to which it relates. No licence of any intellectual property rights is granted. The Information is subject to change without notice and replaces all data sheets previously supplied. The Information supplied is believed to be accurate but the Group assumes no responsibility for its accuracy or completeness, any error in or omission from it or for any use made of it. Users of this data sheet should check for themselves the Information and the suitability of the products for their purpose and not make any assumptions based on information included or omitted. Liability for loss or damage resulting from any reliance on the Information or use of it (including liability resulting from negligence or where the Group was aware of the possibility of such loss or damage arising) is excluded. This will not operate to limit or restrict the Group's liability for death or personal injury resulting from its negligence. Multicomp Pro is the registered trademark of Premier Farnell Limited 2019.

Newark.com/multicomp-pro
Farnell.com/multicomp-pro
Element14.com/multicomp-pro

multicomp PRO