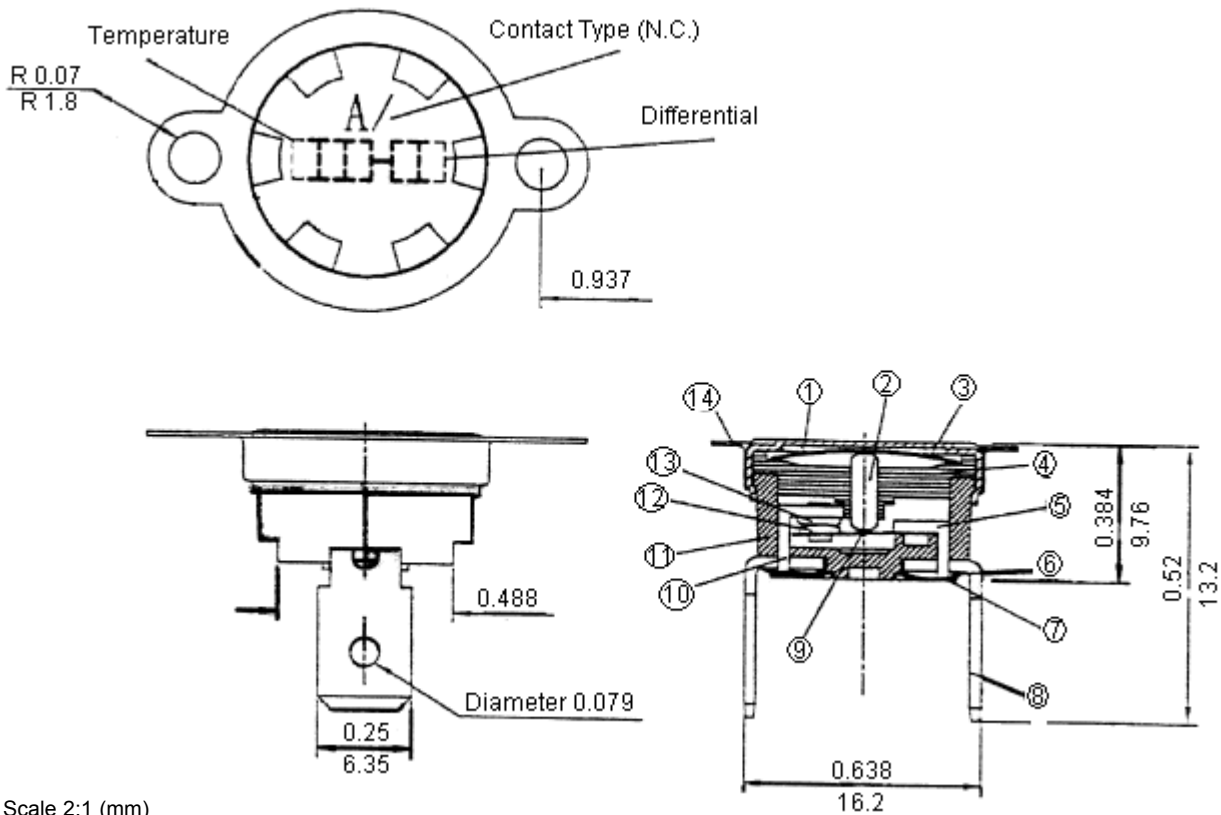


Thermal Switch



Scale 2:1 (mm)

Dimensions : Inches (Millimetres)

The size remains unchanged, but other technical modification will be made without notice.

Specification Table

Item	Parts Name	Material	UL Flame Grade
1	Sensing Cup	Aluminum	
2	Actuating Pin	Ceramic	
3	Bimetal disc	Bimetal	
4	Retainer	Phenolic or pps	94V-0
5	Stationary are	Brass Tin Plated	
6	Solder	Tin	
7	Glue	Epoxy	
8	Terminal	Brass or Steel Tin Plated	
9	Movable are	Beryllium Copper	
10	Terminal-A	Brass Tin Plated	
11	Case	Phenolic or pps	94V-0
12	Contact-R	Silver Alloy	
13	Contact-F	Silver Alloy	
14	Bracket	Steel	

Thermal Switch



Specifications :

Operating Temperature : One fixed point in the range of 50 °C to 205 °C
Temperature Tolerance : Operating temperature : ± 5 °C (± 3 °C available or appointed temperature tolerance)
Reset temperature : ± 6 °C (± 4 °C available or appointed temperature tolerance)
Differential : Normal 10 °C to 30 °C
(Difference between on point and off point)
Heat Resistance : 240°C

Normally Close Type

Open : 70 ± 3 °C
Close : 55 ± 4 °C
Terminal Size : 0.250" Quick Connect

Resistance Voltages : 15 A 125 V ac, 10 A 250 V ac
Life 100 K Cycles

Electrical

Electrical Rating : 15 A 125 V ac (Resistive Load)
10 A 250 V ac (Resistive Load)
15 A 250 V ac (Resistive Load)
Contact Resistance : 50 m Ω or less
Dielectric Strength : 1,000 V ac for one minutes or more between non-live metal parts and terminals
Insulation Resistance : 100 M Ω or more between the non-live metal parts and terminals
Operating Life : 100 K cycles (Class II VDE)
10 K cycles (15 A 250 V ac estimated life)

Partnumber Table

Description	Part Number
Thermal Switch, NC, 70°C	T23A070ASR2-15

Important Notice : This data sheet and its contents (the "Information") belong to the members of the Premier Farnell group of companies (the "Group") or are licensed to it. No licence is granted for the use of it other than for information purposes in connection with the products to which it relates. No licence of any intellectual property rights is granted. The Information is subject to change without notice and replaces all data sheets previously supplied. The Information supplied is believed to be accurate but the Group assumes no responsibility for its accuracy or completeness, any error in or omission from it or for any use made of it. Users of this data sheet should check for themselves the Information and the suitability of the products for their purpose and not make any assumptions based on information included or omitted. Liability for loss or damage resulting from any reliance on the Information or use of it (including liability resulting from negligence or where the Group was aware of the possibility of such loss or damage arising) is excluded. This will not operate to limit or restrict the Group's liability for death or personal injury resulting from its negligence. Multicomp is the registered trademark of the Group. © Premier Farnell plc 2012.