

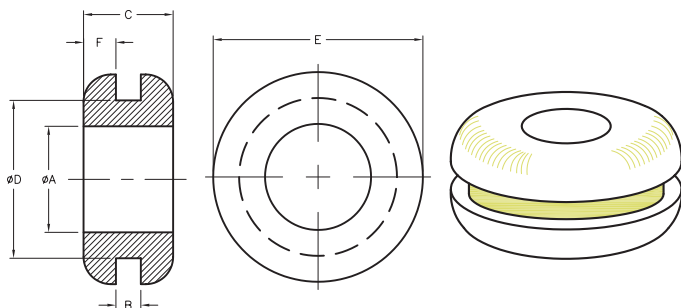
**RoHS
Compliant**



Specifications

Material : Styrene Butadiene Rubber (SBR)
 Colour : Black
 Durometer Range : 60 ±5
 Continuous Use Temperature : -23.33°C to 82.2°C
 (-10°F to +180°F)

Diagram



Part Number Table

Description	Dimensions (Inch)						Part Number
	A	B	C	D	E	F	
Rubber Grommet	0.125	0.062	0.188	0.25	0.344	0.0785	BG-901
	0.188	0.063	0.188	0.313	0.438	0.0625	BG-2286
	0.188	0.063	0.25	0.313	0.5	0.0935	BG-8051
	0.25	0.062	0.25	0.375	0.5	0.094	BG2902
	0.25	0.125	0.25	0.375	0.5	0.0625	BG2903
	0.281	0.156	0.344	0.375	0.625	0.094	BG-921
	0.312	0.062	0.281	0.438	0.625	0.1095	BG505
	0.375	0.062	0.25	0.5	0.625	0.094	BG230
	0.438	0.063	0.25	0.563	0.75	0.09375	BG-1787
	0.5	0.063	0.281	0.625	0.812	0.1094	BG230-060
	0.563	0.063	0.313	0.75	1	0.125	BG-915
	0.625	0.0625	0.313	0.875	1.125	0.125	BG-2285
0.687	0.078	0.375	1	1.312	0.1485	BG-1032	

Important Notice : This data sheet and its contents (the "Information") belong to the members of the AVNET group of companies (the "Group") or are licensed to it. No licence is granted for the use of it other than for information purposes in connection with the products to which it relates. No licence of any intellectual property rights is granted. The Information is subject to change without notice and replaces all data sheets previously supplied. The Information supplied is believed to be accurate but the Group assumes no responsibility for its accuracy or completeness, any error in or omission from it or for any use made of it. Users of this data sheet should check for themselves the Information and the suitability of the products for their purpose and not make any assumptions based on information included or omitted. Liability for loss or damage resulting from any reliance on the Information or use of it (including liability resulting from negligence or where the Group was aware of the possibility of such loss or damage arising) is excluded. This will not operate to limit or restrict the Group's liability for death or personal injury resulting from its negligence. Multicomp Pro is the registered trademark of Premier Farnell Limited 2019.