

## Datasheet

# RS PRO CalDensate condensate neutraliser for all boilers

Stock No: 195-2211



### Technical Specifications:-

**Length: 220mm**

**Diameter: 55mm maximum**

**Material: acid compatible – will not corrode**

**Fittings: adapted for use with condensate**

**Max working pressure: 3 bar**

**Max temperature: 80 deg C**

**Max flow rate: 1.08 litres per second**

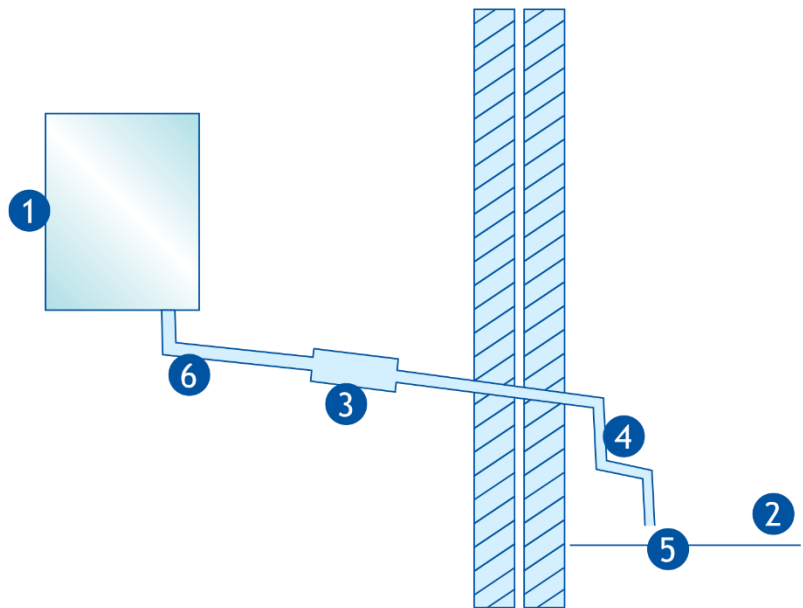
## Features & Benefits:

- Suitable on all condensate pipe
- Conforms to British Standards
- Total acid protection
- Easy to replace cartridge
- 12 month life
- Simple connections
- Suitable for all high temperatures
- Slimline product

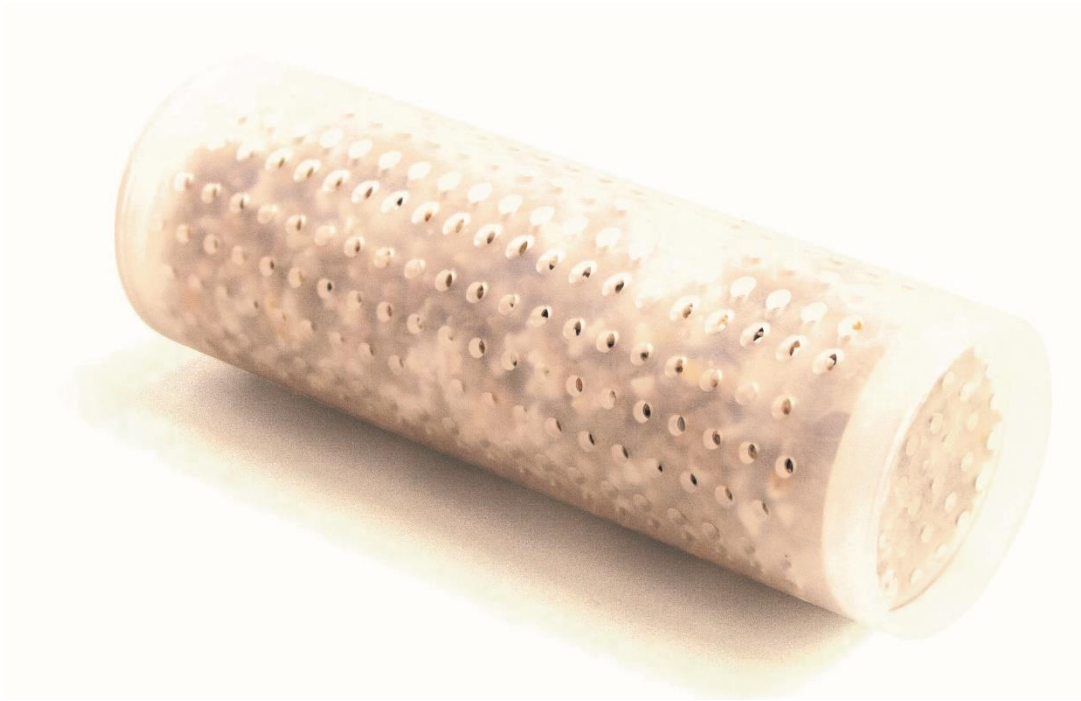
## Typical installation

### Key:

- 1 Boiler
- 2 Ground
- 3 In line acidic neutraliser with biodegradable, replaceable cartridge:- CalDensate
- 4 External length of pipe 3m maximum
- 5 Open end of condensate drainage pipe
- 6 Nominal diameter 22mm



## General – Densate R cartridge - 8946967



## General – Before and after cartridge

