

Datasheet

500mm 2 Core Coiled Cable 0.14 mm² CSA Polyurethane PUR Sheath Black, 4.1mm OD

Stock No: 2080196



Technical Specifications:

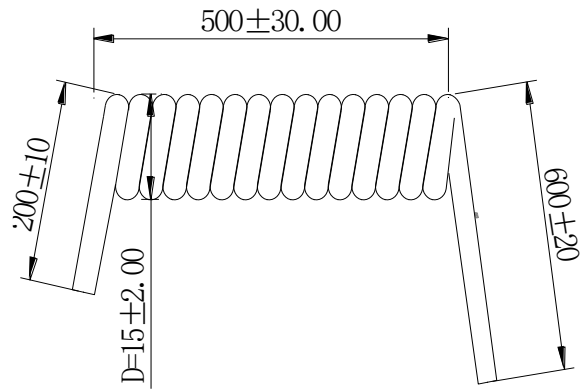
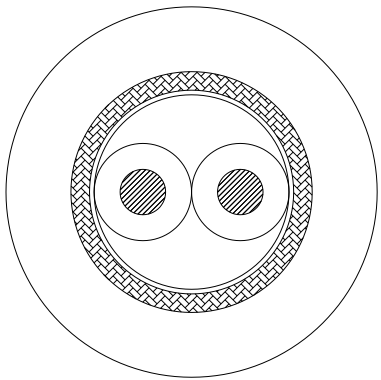
Length of straight ends: 1st end = 200 mm, 2nd end = 600 mm
 High restoring forces and extension lengths up to 4 times the unextended spiral length, extension lengths: 2m

Conductor	Stranded Bare Copper	Filler	-
Cores Number	2C	Paper tape	Yes
Size(mm ²)	0.14	Braiding shield	16/4/0.10 Bare Copper
Construction(±0.008mm)	18/0.10	Coverage(%)	≥60%
Stranded Dia.(mm)	0.49	Drain wire(AWG)	-
Insulation Material	PVC	Paper tape	-
Insulation Color	1:WHITE,2:BROWN	Jacket Material	TPU
Ave Thickness(mm)	0.28	Jacket Color	BLACK
Min Thickness(mm)	0.21	Ave Thickness(mm)	0.78
Insulation Dia.(±0.1mm)	1.05	Min Thickness(mm)	0.58
Twist	-	Outer Dia(±0.20mm)	4.1
Cabling	Yes		

Features & Benefits:

- **Operating temperature: -5 °C ~ +50 °C**
- **Conductor resistance(20°C Ω/km): 130 max.**
- **Operating voltage: 250 V**

Cross Section drawings



Cable Making: RS PRO 2x0.14mm² Coiled Data Cable

Applications:

This coiled data cable is ideal for electronic applications where space saving and flexibility is a requirement. It is often used in:

- In measurement and control engineering
- Handling and measurement equipment
- Conveyor and transport systems
- Wherever screened cables with smallest dimensions are required