

Datasheet

RS PRO IP67 Plastic Dust Cap



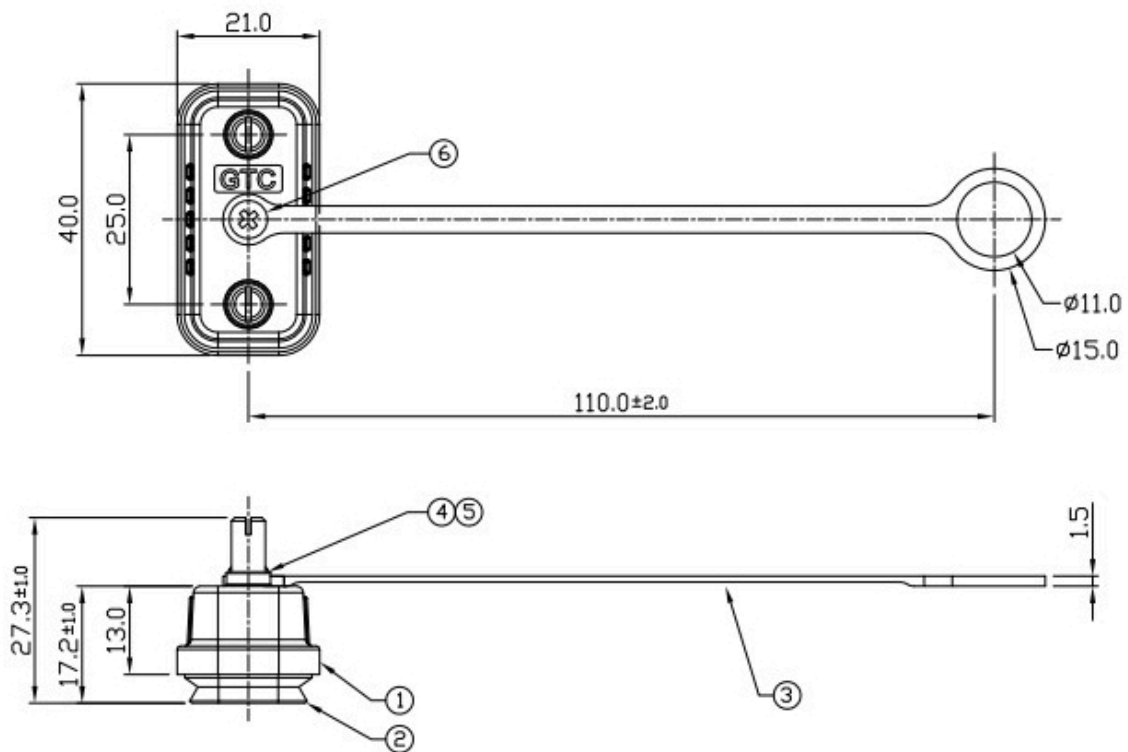
The RS Pro protective dust caps are used with a wide range of RS Pro D-sub plastic panel mount connectors. The IP67 rated black thermoplastic dust covers prevent water and dust ingress when panel mount D-sub connectors are not in use. Ideal for industrial applications and harsh environments.

Features & Benefits:

- Thermoplastic
- IP67

Dimensional line drawings

125-7927



Quality Standards

