



ENGLISH

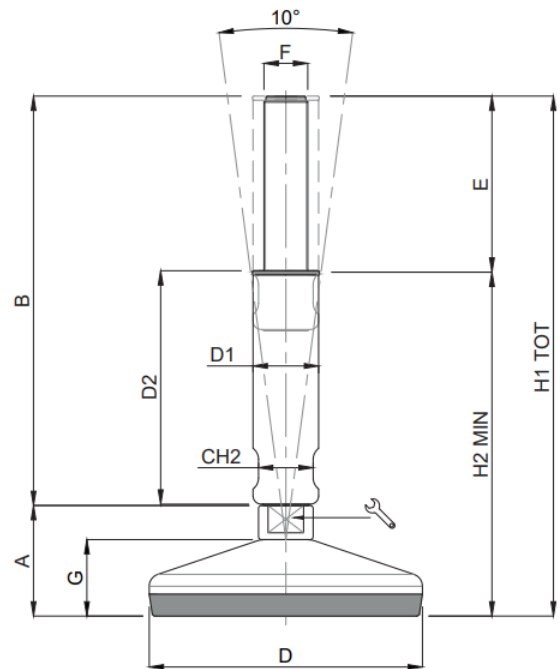
RS PRO Stainless Steel Articulated Hygienic Foot


The RS Pro Height Adjustable mounts have a High-gloss polished AISI 304 stainless steel surface with a vulcanized NBR 85 shore anti-slip rubber pad. This range have a 10° articulated half-threadless hygienic stem and a stainless steel thread-covering sleeve meaning it's easy to clean. Mounted with an external top and internal bottom black silicone gasket to prevent dirt intrusion.

USDA Accepted

Typical Applications Include:

- Dairy and Meat Processing
- Hygienic Environments
- Food processing



Article Number	E	F	B	D		G	A	D1	D2	CH2	H2	H1	Load (kg)
2378171	65	M16	150	100	17	28	41	24	85	20	128	191	1500
2378172	65	M20	150	100	17	28	41	30	85	26	128	191	1500
2378173	65	M24	150	100	20	28	42	35	85	30	129	192	1500
2378174	65	M30	150	100	26	28	43	42	85	36	130	193	1500
2378176	65	M24	150	120	20	32	46	35	85	30	131	196	3000
2378177	65	M30	150	120	26	32	47	42	85	36	132	197	3000
2378178	65	M30	150	150	26	35	50	42	85	36	135	200	4000
2378179	40	M16	125	60	17	22	35	24	60	20	95	160	700
2378180	40	M16	125	80	17	25	38	24	60	20	98	163	1000