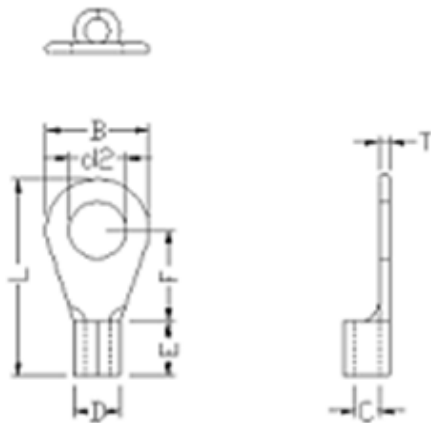


## Datasheet

# Uninsulated Tin Plated Crimp Ring Terminal, M6 Stud Size, 22 → 16 AWG

RS Stock number [433-006](#)



Insulation Colour	Wire Range Mm <sup>2</sup> /Awg	Stud Size	d2 (mm)	W (mm)	F (mm)	L (mm)	E (mm)	D (mm)	d1 (mm)	T (mm)
Red	0.5-1.5mm <sup>2</sup> /22-16AWG	1/4	6.4	11.6	11.0	26.7	10.0	4.0	1.7	0.8

## Specifications:

**1. Maximum Electric Current:** (最大電流)

22-16AWG / 0.5-1.5mm<sup>2</sup>: 19A

16-14AWG / 1.5-2.5mm<sup>2</sup>: 27A

12-10AWG / 4-6mm<sup>2</sup>: 48A

**2. Terminal Body:** Copper (端子材質: 紅銅)

**3. Insulation:** (護套材質: )

**4. Plating:** Tin (表面處理: 鍍錫)

NBT--Non-Insulated butted seam

NB--Non-insulated brazed seam