

## Features

- PVC cover
- Wire size: 26AWG
- To contain cells when inserted into battery compartments

## RS PRO Battery Holder

RS Stock No.: 1854790



RS PRO Professionally Approved Products bring to you professional quality parts across all product categories. Our product range has been tested by engineers and provides a comparable quality to the leading brands without paying a premium price.

## Product Description

The RS PRO battery holder is suitable for 9V SNAP battery and has 6 prong SNAP terminal.

## General Specifications

For Battery Size	9V
Wire	UL1007 AWG#26 Black & Red A: 150MM $\pm$ 5MM Strip & Tin B: 5MM $\pm$ 1MM
Terminal	With 6 Prong Snap Terminal
Material	ABS, Resin, Black Color

## Approvals

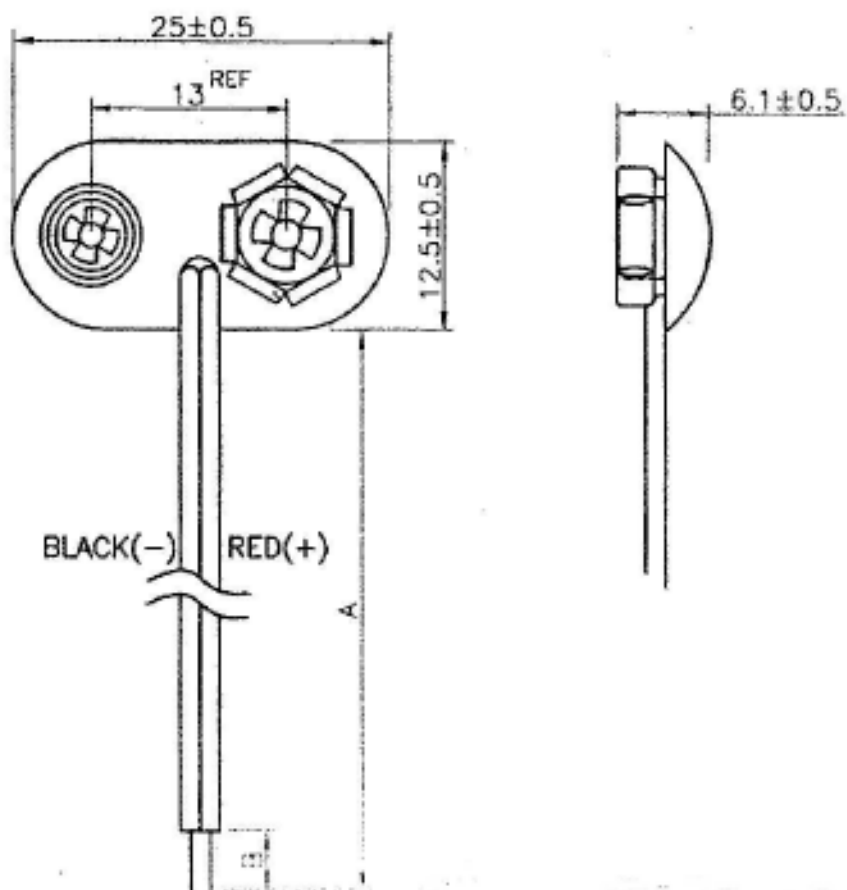
Compliance	RoHS Compliant
------------	----------------

# Battery Contacts

## 1. Preface:

The purpose of this product specification is to Dimension and drawing

## BS-EC



Measure: mm