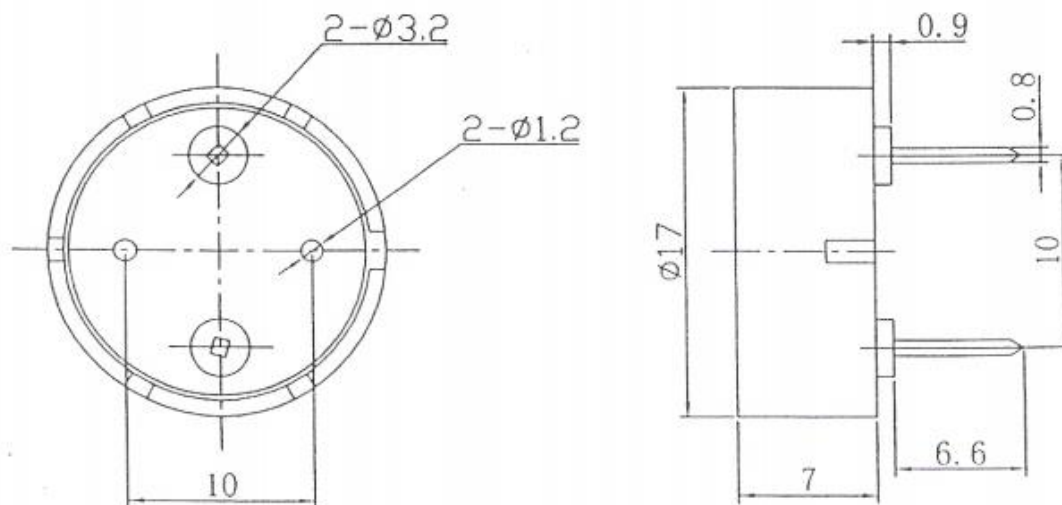


Datasheet

PCB Mount Continuous External Piezo Buzzer

RS Stock number [457-011](#)

Dimensions: (mm)



SPECIFICATIONS	ABT-436-RC – Piezo Transducer
Rated Voltage (Vp-p Square Wave)	5Vp-p
Operating Voltage	1-30Vp-p
Rated Current at rated voltage	1mA
Capacitance at 120Hz	15000±30%pF
Sound Output at 4000Hz at 10cm, at rated voltage	78dB
Resonant Frequency	4000±500Hz
Operating Temperature	-20 ~ +70°C
Storage Temperature	-30 ~ +80°C
Housing Material	Noryl
Pin Material	Phosphor Bronze
Weight	1g

