



ENGLISH

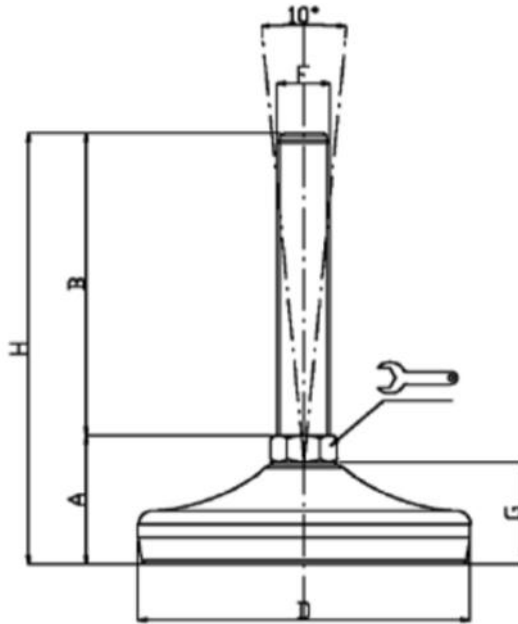
RS Pro Height Adjustable Mount



The RS Pro Height Adjustable mounts are used for levelling and support, it in many applications including lathes, milling machines, machining centres and conveyor systems.

The base rubber is made of oil resistant NBR, with the Stainless Steel versions being commonly used in the food industry.

These feet satisfy REACH and RoHS regulations.



Product Code	A (mm)	B (mm)	D (mm)	F	G (mm)	H (mm)	Static Load kg	Metal type	Articulation Degrees
1266372	19	100	63	M14	11.5	119	1800	MS	5
1263550	35	120	80	M12	25	85	1000	A4	10
1263551	19	100	50	M12	11.5	119	1500	MS	5
1263553	35	150	80	M12	25	185	1000	MS	10
1263554	37.5	150	100	M16	28	187.5	1500	MS	10
1263555	29	100	50	M10	19	129	400	MS	10
1263558	41.5	100	120	M16	32	191.5	3000	MS	10
1263560	38	125	80	M12	25	163	1000	A4	10
1263562	35	150	80	M16	25	185	1000	MS	10
1263563	32	100	60	M10	22	132	700	A4	10

Metal Types:

A4 = Stainless Steel

MS = Mild Steel