

## Datasheet

# RS PRO NON-INSULATED CORD END

## TERMINALS

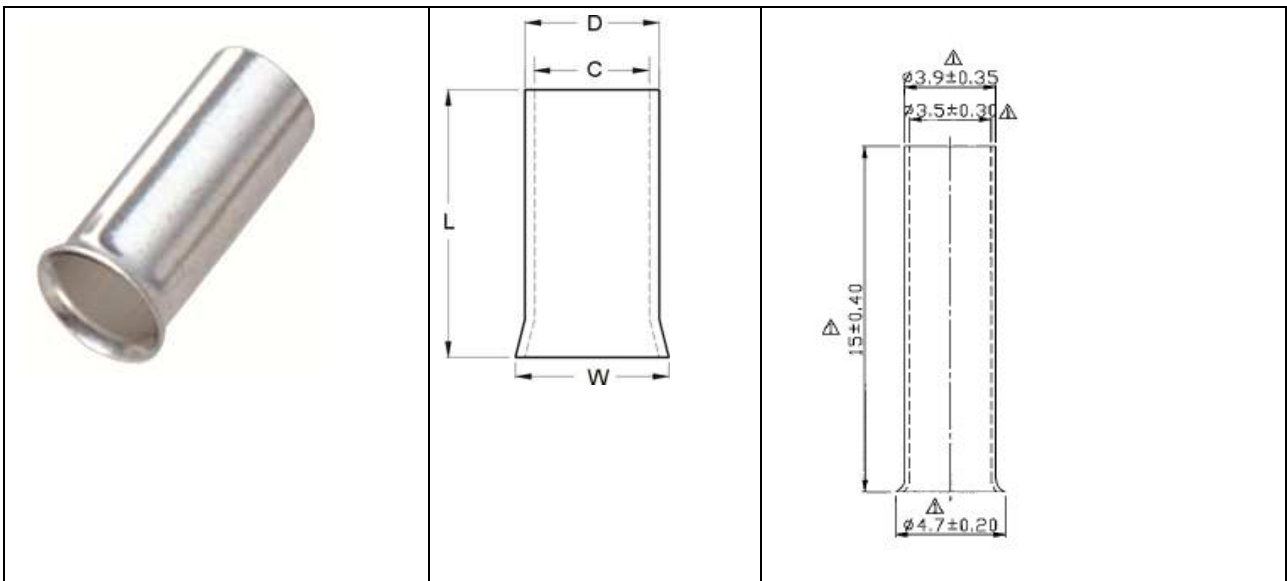
Stock number: 178-7355

MAXIMUM ELECTRIC CURRENT:

A.W.G.	10
AMP.	50

TERMINAL MATERIAL: COPPER TUBE

SURFACE TREATMENT: TIN PLATE



WIRE RANGE A.W.G. mm <sup>2</sup>	ITEM NO.	DIMENSION inch(mm)			
		L	D	C	W
10 A.W.G.	■ 178-7355	0.591	0.154	0.138	0.185
6 mm <sup>2</sup>		15	3.900	3.5	4.7