

Datasheet

RS PRO PC-INSULATED DOUBLE CRIMP MALE DISCONNECTORS

Stock number: 178-8380

MAXIMUM ELECTRIC CURRENT:

| | | |
|--------|----|----|
| A.W.G. | 16 | 14 |
| AMP. | 10 | 15 |

MAXIMUM ELECTRICAL RATING: 105° C 600 VOLTS MAX.

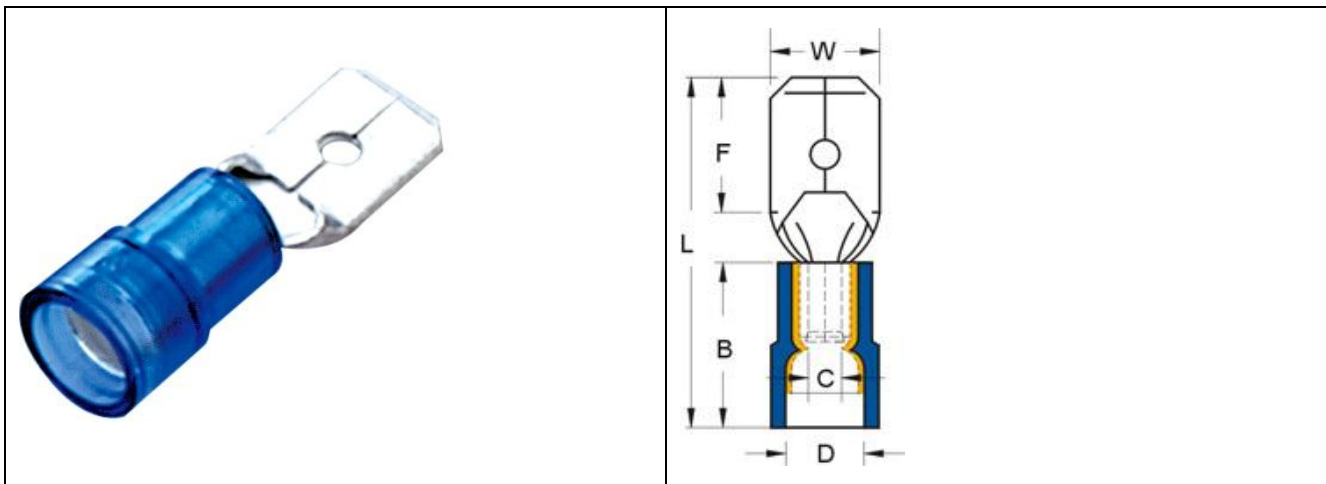
INSULATION MATERIAL: PC


TERMINAL MATERIAL: BRASS

INSULATION COLOR: BLUE

DOUBLE CRIMP: WITH COPPER SLEEVE ON BARREL

TERMINAL BARREL I.D.: C=2.3MM



| WIRE RANGE A.W.G. mm ² | ITEM NO. | NEMA TAB | DIMENSION inch(mm) | | | | | |
|---|--|-------------------------|--------------------|--------------|-------------|-------------|----------------|--------------|
| | | | W | F | L | B | D | T |
| 16-14 A.W.G. 1.5-2.5 mm ² |  178-8380 | .032X.250 (0.8X6.35) | 0.25 6.35 | 0.303 7.7 | 0.866 22 | 0.433 11 | 0.197 5.000 | 0.016 0.4 |