



# Temperature-Controlled Soldering Station for Digital Display



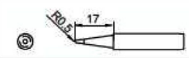
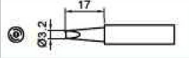

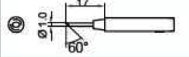
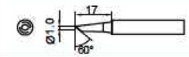
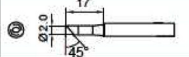
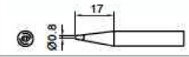
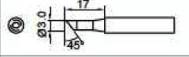
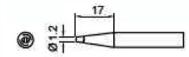
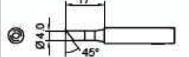
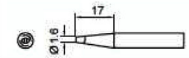
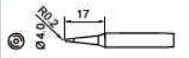
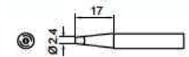
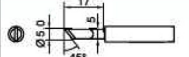
## Features

- Comply with CE, ESD safe certification
- Adjustable temperature control with lock/set screw
- Temperature range 200°C to 480°C (392°F to 896°F)
- Soldering iron handles are insulated and ergonomic-designed for ease and comfort.
- Celsius or Fahrenheit temperature setting
- Control IC modular design for easy and quickly repair

## Specifications:

Power Consumption	60W	
Output Voltage	24V AC	
Display	Digital	
Heater	Alumin ceramic heating element	
Temperature Range	200°C to 480°C (392°F to 896°F)	
Station Size (mm)	145 × 95 × 130	
Voltage	220V ~ 240V	
	50Hz	
Standard Plug	B type 	C type 
Replacement heater	9SS-900N-HT	
Soldering Iron	9SS-900N-SI	
Individual packing	Colour Box	

## Tips / Nozzles

	5SI-216N-B		5SI-216N-3.2D
	5SI-216N-B1.0		5SI-216N-1C
	5SI-216N-BC		5SI-216N-2C
	5SI-216N-0.8D		5SI-216N-3C
	5SI-216N-1.2D		5SI-216N-4C
	5SI-216N-1.6D		5SI-216N-I
	5SI-216N-2.4D		5SI-216N-K

## Part Number Table

Description	Part Number
Temperature-Controlled Soldering Station For Digital Display (AC110/220V switch)	SS-207BC-F

**Important Notice :** This data sheet and its contents (the "Information") belong to the members of the Premier Farnell group of companies (the "Group") or are licensed to it. No licence is granted for the use of it other than for information purposes in connection with the products to which it relates. No licence of any intellectual property rights is granted. The Information is subject to change without notice and replaces all data sheets previously supplied. The Information supplied is believed to be accurate but the Group assumes no responsibility for its accuracy or completeness, any error in or omission from it or for any use made of it. Users of this data sheet should check for themselves the Information and the suitability of the products for their purpose and not make any assumptions based on information included or omitted. Liability for loss or damage resulting from any reliance on the Information or use of it (including liability resulting from negligence or where the Group was aware of the possibility of such loss or damage arising) is excluded. This will not operate to limit or restrict the Group's liability for death or personal injury resulting from its negligence. Tenma is the registered trademark of the Group. © Premier Farnell plc 2012.

