

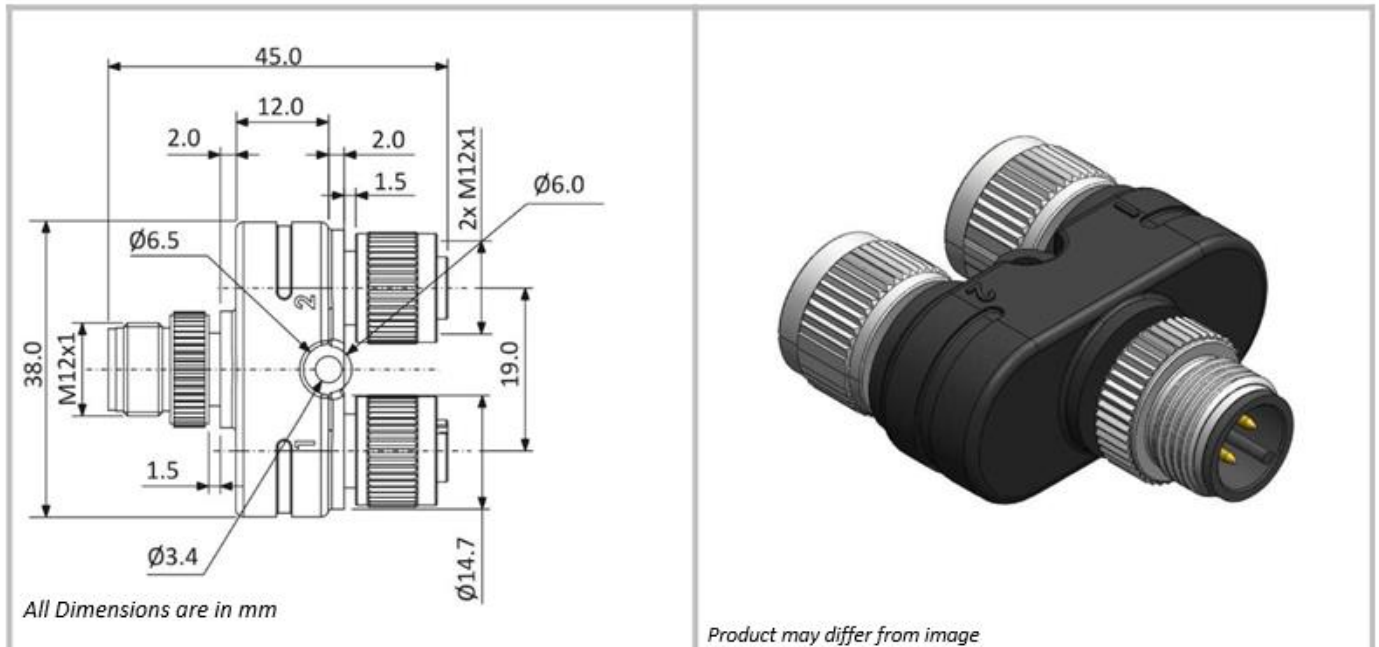


Datasheet

RS PRO Y Splitters

Stock numbers: 1752506, 1752508, 1752509, 1752511, 1752512, 1752513

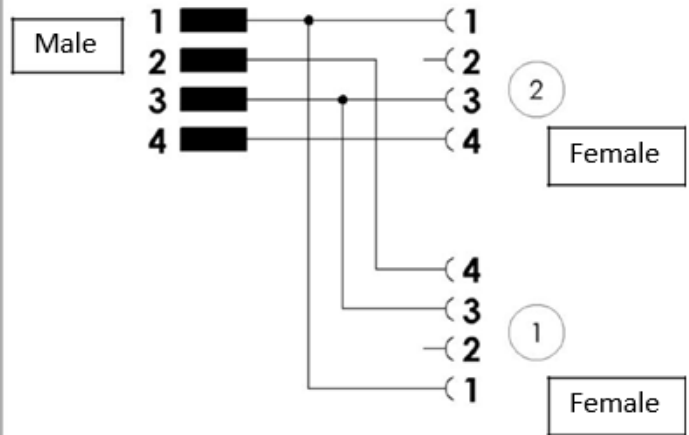
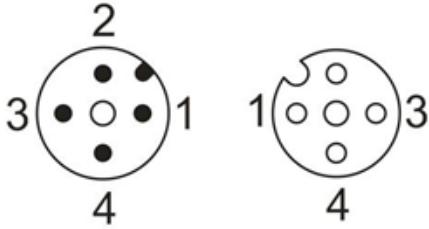
EN



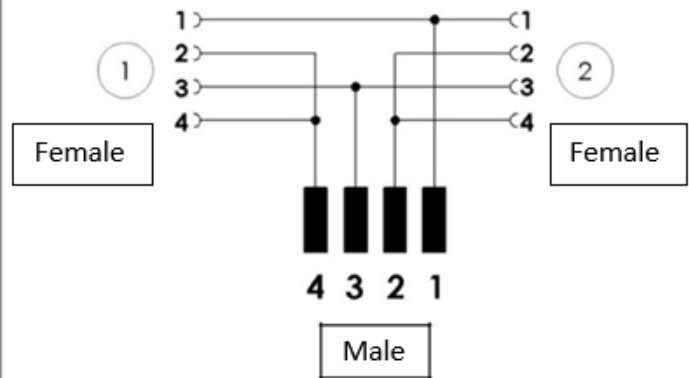
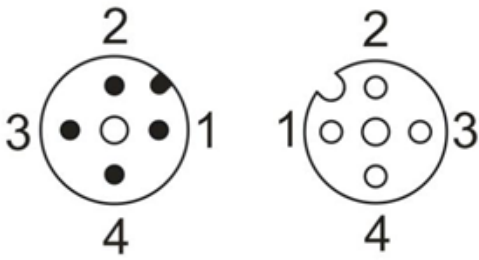
These Y Splitters are used in Automation and Control and M12 Sensor applications.

	I/P End	O/P 1	O/P 2
Connector	M12, Male	M12, Female	M12, Female
Rated Voltage			
4 pin	250V	250V	250V
5 pin	60V	60V	60V
8 pin	30V	30V	30V
12 pin	30V	30V	30V
Coding	A	A	A
Number of pins			
1752508	4	3	3
1752509	4	4	4
1752511	5	4	4
1752512	5	5	5
1752513	8	8	8
1752506	12	12	12
Current (at 40°C)			
4 pin	4A	4A	4A
5 pin	4A	4A	4A
8 pin	2A	2A	2A
12 pin	1.5A	1.5A	1.5A
Contact material	CuZn, Ni/Au (Gold Flash)	CuZn, Ni/Au (Gold Flash)	CuZn, Ni/Au (Gold Flash)
Contact carrier material	Nylon 66	Nylon 66	Nylon 66
Coupling nut material	CuZn, nickel plated	Zinc die-casted, nickel plated	Zinc die-casted, nickel plated
Insulation resistance	$\geq 10^8 \Omega$		
Ambient temperature	-25°C...+85°C		
Sealing material	Neoprene		
Grip body material	TPU, Black		
Shielding	No		
Mechanical life-cycle	>100 mating cycles		
Degree of protection	IP67		
Degree of pollution	3		
Standards	IEC 61076-2-101		

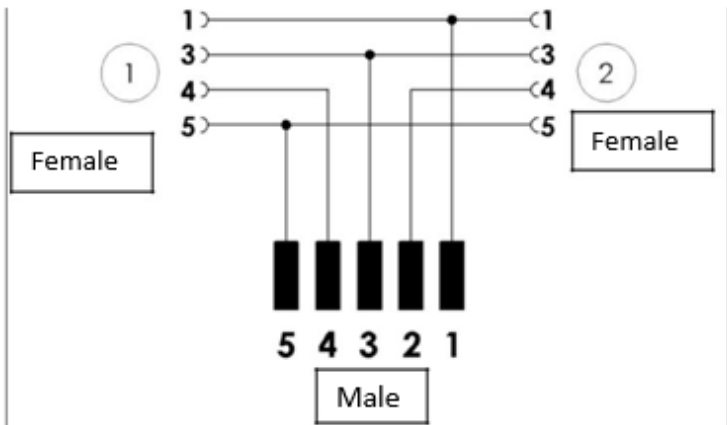
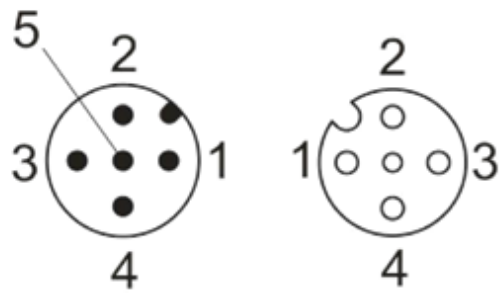
I/P 4 pin male to 2x 3 pin female



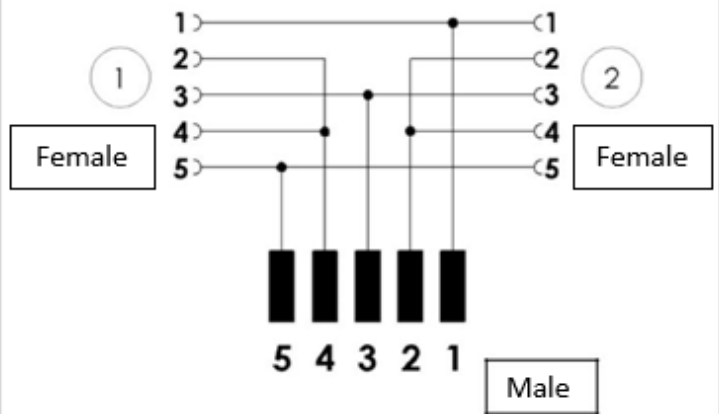
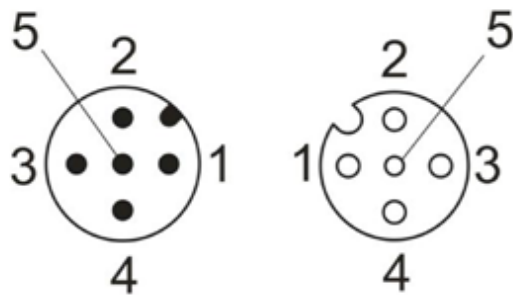
I/P 4 pin male to 2x 4 pin female



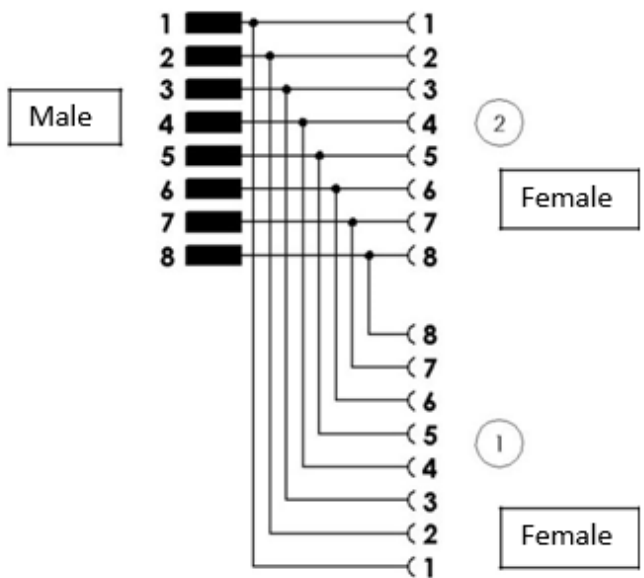
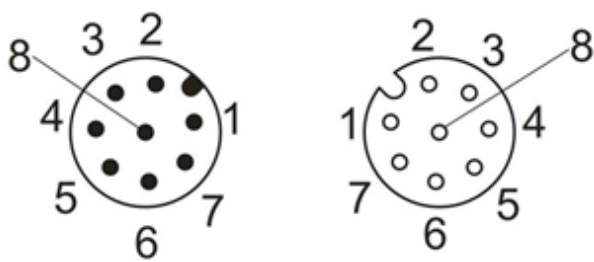
I/P 5 pin male to 2x 4 pin female



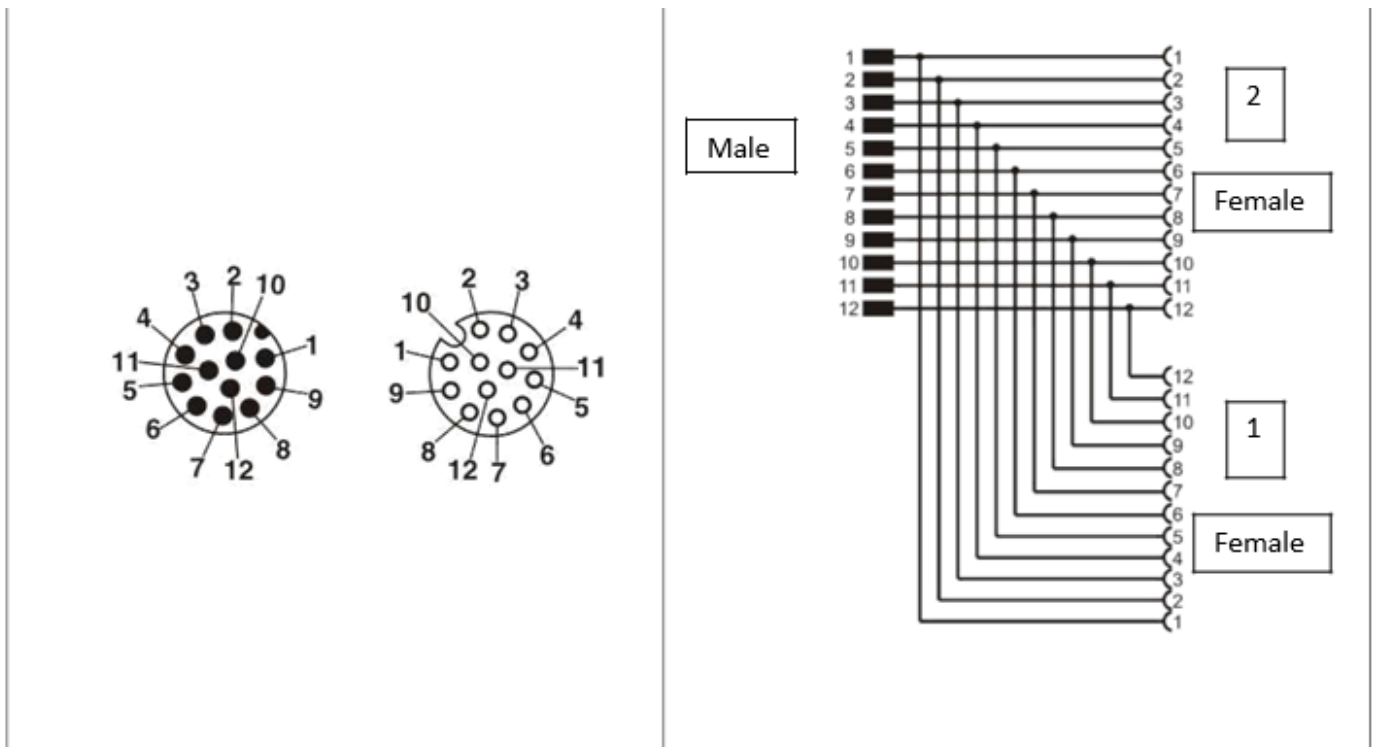
I/P 5 pin male to 2x 5 pin female



I/P 8 pin male to 2x 8 pin female



I/P 12 pin male to 2x 12 pin female



Models

Sr. No.	Item Code	Item Description
1	1752508	Y-SPLITTER I/P M12 MALE 4 PIN, O/P 2X M12 FEMALE 3 PIN
2	1752509	Y-SPLITTER I/P M12 MALE 4 PIN, O/P 2X M12 FEMALE 4 PIN
3	1752511	Y-SPLITTER I/P M12 MALE 5 PIN, O/P 2X M12 FEMALE 4 PIN
4	1752512	Y-SPLITTER I/P M12 MALE 5 PIN, O/P 2X M12 FEMALE 5 PIN
5	1752513	Y-SPLITTER I/P M12 MALE 8 PIN, O/P 2X M12 FEMALE 8 PIN
6	1752506	Y-SPLITTER I/P M12 MALE 12 PIN, O/P 2X M12 FEMALE 12 PIN



