

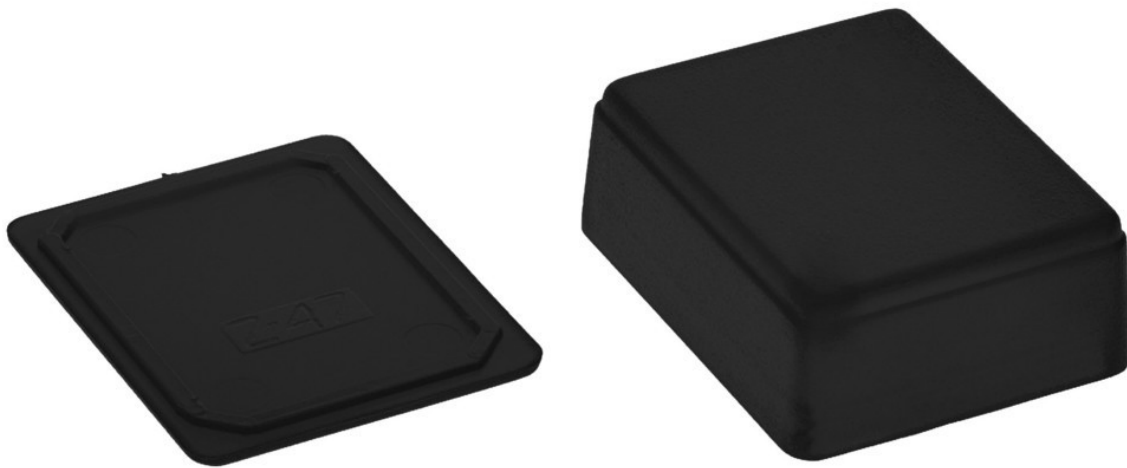


Datasheet

RS PRO Two-Part Enclosures

Stock number: 1920740

EN



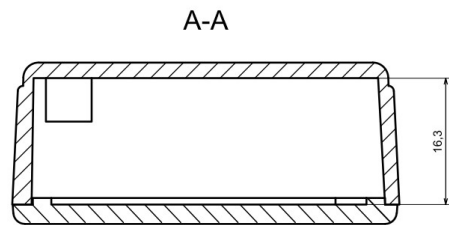
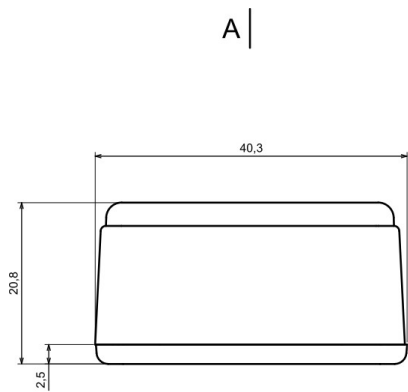
Product Details

Two-part enclosure is made of black ABS. The enclosure provides IP54 rating it is ideal for applications that doesn't require hermetic seal.

Features and Benefits

- Made of ABS
- Available in black color
- Protection against liquids and solid objects: IP54 rating

rspro.com

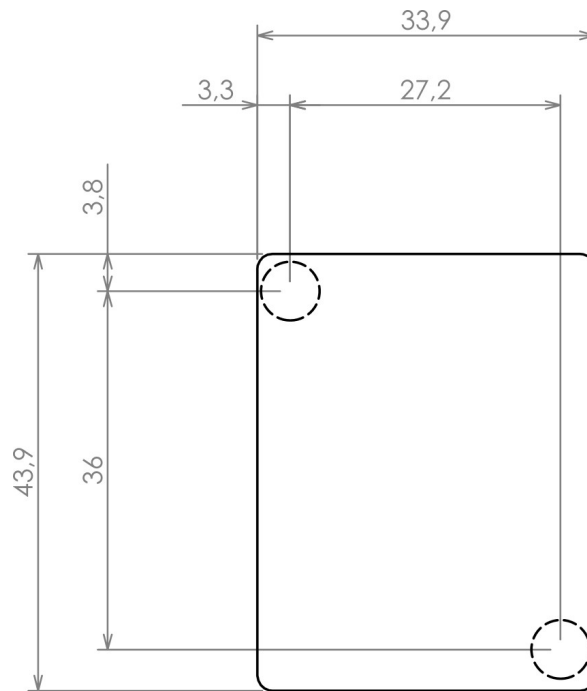


A |

Category	Enclosures For Wall Mounting
Type	Full
Material	ABS
Variant	Without gasket
Height	20.6 mm
Width	40.4 mm
Length	50.2 mm
Color	Black
Protection level	IP54
Standards Met	RoHS Compliant
Certificate number	Z/12/025/17, CE/031/18



Max PCB size



Dashed line shows outline of the mounting boss under PCB board
Recommended mounting holes diameter $\varnothing 3,5\text{mm}$
All dimensions are given within $\pm 0,5\text{mm}$ tolerance