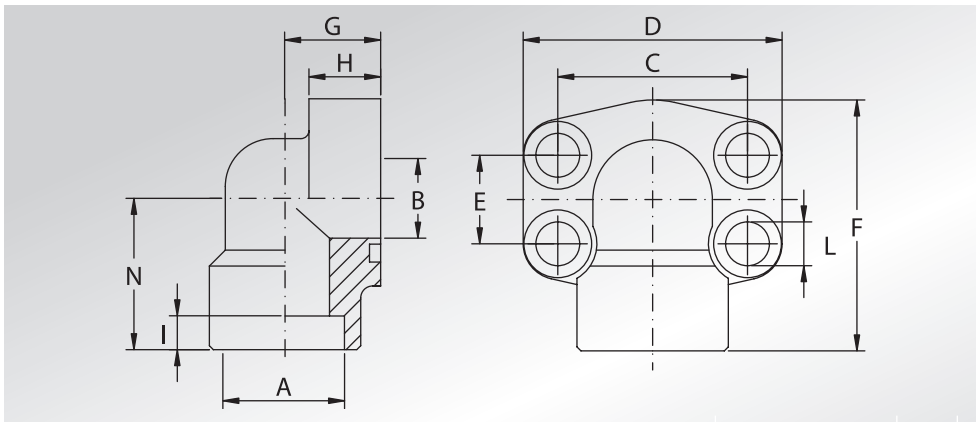


FLANGE A 90° A SILDARE DI TASCA



WELD IN 90° FLANGES



Pressione max di esercizio raccomandata Kg/cm ²	Grandezza	Tipo	Dimensioni											Viti		Or tipo	Peso Kg
			Dimensions											Screws			
Maximum recommended working pressure Kg/cm ²	Size	Type	A	B	C	D	E	F	G	H	I	L	N	Metric	Unc	Or type	Weight Kg

SERIE 3000

345	1/2"	AFS08090S	21,6	13	38,10	54	17,48	60	20	16	10	9	37	M8x30	5/16"x1"1/4	4075	0,28
345	1/2"	AFS08090S038	17,5	13	38,10	54	17,48	60	20	16	10	9	37	M8x30	5/16"x1"1/4	4075	0,29
345	3/4"	AFS10090S	27,2	19	47,63	65	22,23	63	24	18	10	11	38	M10x35	3/8"x1"1/2	4100	0,45
345	1"	AFS10290S	34,0	25	52,37	70	26,19	70	28	19	12	11	43	M10x35	3/8"x1"1/2	4131	0,56
276	1"1/4	AFS10490S	42,8	32	58,72	79	30,18	85	34	21	14	11,5	51	M10x40	7/16"x1"3/4	4150	0,89
207	1"1/2	AFS10690S	48,6	38	69,85	93	35,71	95	38	25	16	13,5	56	M12x45	1/2"x1"3/4	4187	1,18
207	2"	AFS10890S	61,0	51	77,77	110	42,88	110	42	25	18	13,5	65	M12x45	1/2"x1"3/4	4225	2,06

SERIE 6000

414	1/2"	AFS40190S012	21,6	13	40,49	54	18,24	60	20	16	10	9	37	M8x30	5/16"x1"1/4	4075	0,28
414	1/2"	AFS40190S038	17,5	13	40,49	54	18,24	60	20	16	10	9	37	M8x30	5/16"x1"1/4	4075	0,29
414	3/4"	AFS40290S	27,2	19	50,80	70	23,80	70	28	19	12	11	43	M10x40	3/8"x1"1/2	4100	0,69
414	1"	AFS40390S	34,0	25	57,15	79	27,76	85	34	21	14	13	51	M12x45	7/16"x1"3/4	4131	1,11
375	1"1/4	AFS40490S	42,8	32	66,68	93	31,75	95	38	25	16	15	56	M14x45	-	4150	1,45
375	1"1/4	AFS40490SL13	42,8	32	66,68	93	31,75	95	38	25	16	13,5	56	M12x45	1/2"x1"3/4	4150	1,45
320	1"1/2	AFS40590S	48,6	38	79,38	110	36,50	110	42	25	18	17	65	M16x55	5/8"x2"1/4	4187	2,75
250	2"	AFS40690S	61,0	51	96,82	134	44,45	132	45	35	25	21	75	M20x70	3/4"x2"3/4	4225	3,85

La pressione di esercizio massima raccomandata si basa sulla flangia.

La massima pressione di lavoro del sistema è determinata dallo spessore e dal tipo di materiale del tubo utilizzato.

The maximum recommended working pressure is based on the flange.

The working pressure of the system is determined by the thickness and the steel quality of the pipe.

DESIGNAZIONE PER ORDINE DESIGNATION FOR ORDER	Materiale / Material	
	S355	AISI 316L
Solo flangia Only flange	AFS...90S	AFX...90S
Flangia completa di viti metriche, grower e o-ring Flange complete of metric screws, grower type washers and o-ring	AFS...90SM	AFX...90SM
Flangia completa di viti unc, grower e o-ring Flange complete of unc screws, grower type washers and o-ring	AFS...90SU	AFX...90SU

NOTE / NOTES

set viti unc disponibili solo in acciaio al carbonio
unc screws set available only in carbon steel