



ENGLISH

Datasheet

RS 25.4mm Green/Yellow Heat Shrink Tubing 2:1, 1.2m Length

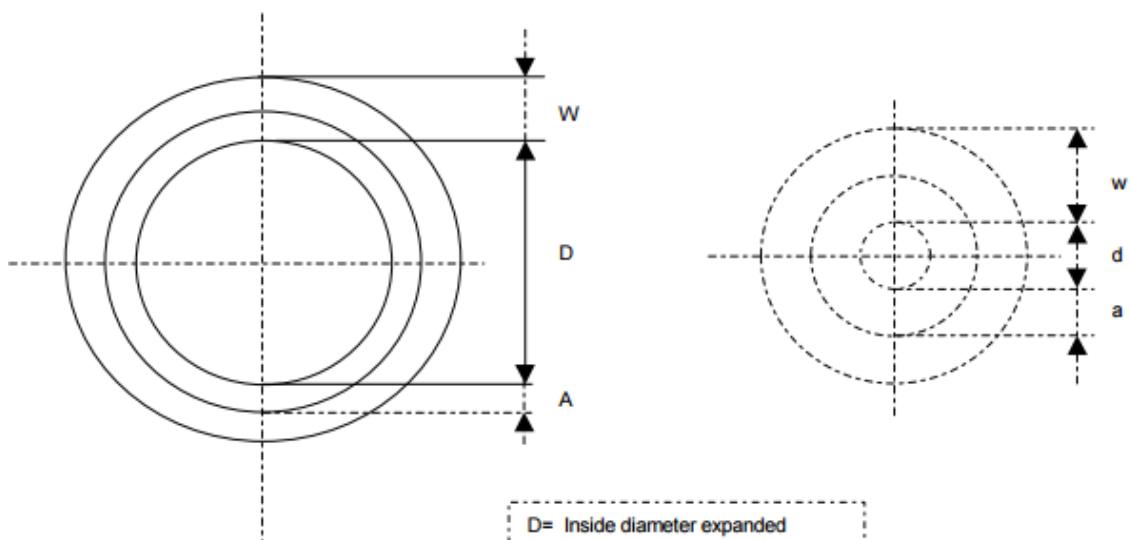
RS Stock 268-5041



Specification

Expanded (as supplied)

Recovered (after shrinkage)



D= Inside diameter expanded
W= Wall thickness expanded
A= Adhesive before shrinkage
d= Inside diameter after shrinkage
w= Wall thickness after shrinkage
a= Adhesive after shrinkage



General Characteristics **Dual wall, halogen free, flexible heat shrinkable tubing**

Material **Outer Wall: Polyolefin; Inner Wall: Hot melt adhesive**

Surface **Glossy**

Marking **None**

Colours and Dimensions **See Dimension Table**

Properties	Test Method	Standard Requirements	Typical Value
Referring Size: 3/1 Shrink Ratio: 3:1			
Thermal Properties			
Continuous Operating Temperature		-55°C to +105°C	
Min. Shrink Temperature for Full Recovery		+110°C	
Shrinking starts at		+60°C	
Elongation After Heat Ageing (136°C x 168h)	UL 224	100% min.	400%
Low Temperature Flexibility (-55°C x 4h)	SAE-AMS-DTL-23053	no cracking	pass
Physical Properties			
Longitudinal Change	SAE-AMS-DTL-23053	+5% / -15%	-7%
Tensile Strength	ASTM D 638	10.3MPa min.	19MPa
Elongation at Break	ASTM D 638	200% min.	420%
Secant Modulus	ASTM D 882	173MPa max.	125MPa
Chemical Properties			
Water Absorption	ASTM D 570	1.0% max.	0.20%
Electrical Properties			
Voltage Rating		n.a.	600V
Dielectric Voltage Withstand (2.5kV x 60sec.)	UL 224	no breakdown	pass
Volume Resistivity	ASTM D 876	10 ¹² Ohm-cm min.	3.0x10 ¹⁴ Ohm-cm
Dielectric Strength	ASTM D 876	11.8kV/mm min.	30kV/mm
Other Properties			
Sealing Efficiency	SAE-AMS-DTL-23053	no openings on reheat	pass