

FEATURES

- Piezo buzzer with an intermittent tone
- Sound level of 81 dB
- Internal drive
- Panel mounting
- Diameter of 41.8 mm
- Length of 60 mm
- Height of 16 mm
- Operating temperature range of -30°C to +85°C
- Supply current of 8 mA
- Minimum frequency of 2300 Hz
- Maximum frequency of 3.3 kHz
- Minimum supply voltage of 3 V (DC)
- Maximum supply voltage of 28 V (DC)

RS PR₁₉₄₇₄₉₈

O 81dB, Panel Mount Intermittent Internal Piezo Buzzer

RS Stock No.: 535-8310



RS Professionally Approved Products bring to you professional quality parts across all product categories. Our product range has

been tested by engineers and provides a comparable quality to the leading brands without paying a premium price.

Product Description

These piezo buzzer components from RS PRO combine a high sound level with low power consumption and a wide voltage range, all in a compact package. They only draw an 8 mA current and can function between 3 V DC to 28 V DC. This makes them energy-efficient and compatible with everyday appliances, including some computers. They produce an intermittent 81 dB tone that's clearly audible. They're panel mounting, so installation is straightforward on almost any surface. Flying lead connectors make it simple to connect them to a circuit board.

General Specifications

Mounting Type	Panel Mount
Sound Level	81dB
Drive Type	Internal
Tone Type	Intermittent
Colour	Black
Application	Alarms or warning systems, communications equipment and electronic cash registers.

Electrical Specifications

Minimum Supply Voltage	3Vdc
Maximum Supply Voltage	28Vdc
Maximum Frequency	3.3kHz
Minimum Frequency	2300Hz
Supply Current	8mA

Mechanical Specifications

Diameter	41.8mm
Length	60mm
Depth	41.8mm
Height	16mm
Dimensions	60mm x 41.8mm x 16mm
Weight	8g
Lead Wire	UL1007 24AWG
Sound Level Distance	30cm

Operation Environment Specifications

Minimum Operating Temperature	-30°C
Maximum Operating Temperature	85°C

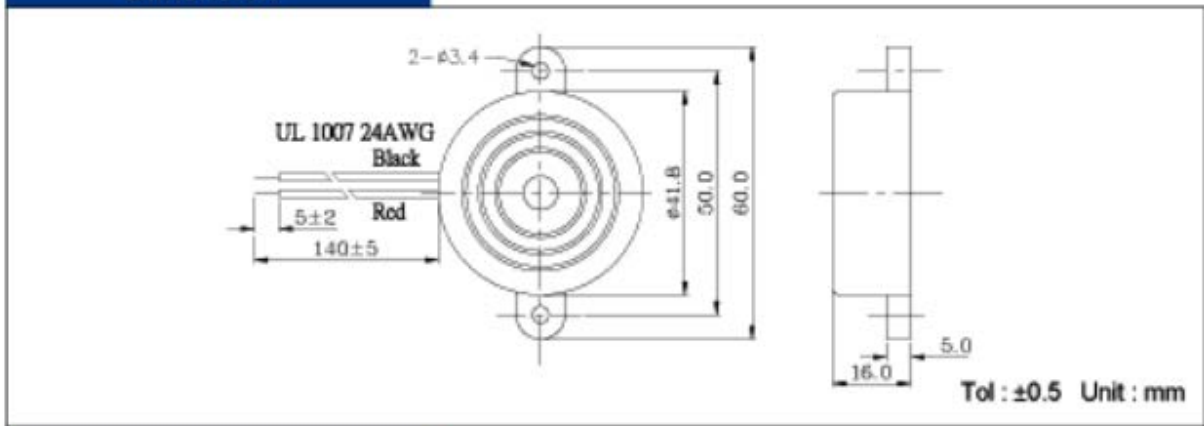
Approvals

Compliance/Certifications	EN61340
----------------------------------	---------





Dimension



Characteristic

