

Datasheet

RS PRO NON-INSULATED FEMALE DISCONNECTORS

Stock number: **2055288**

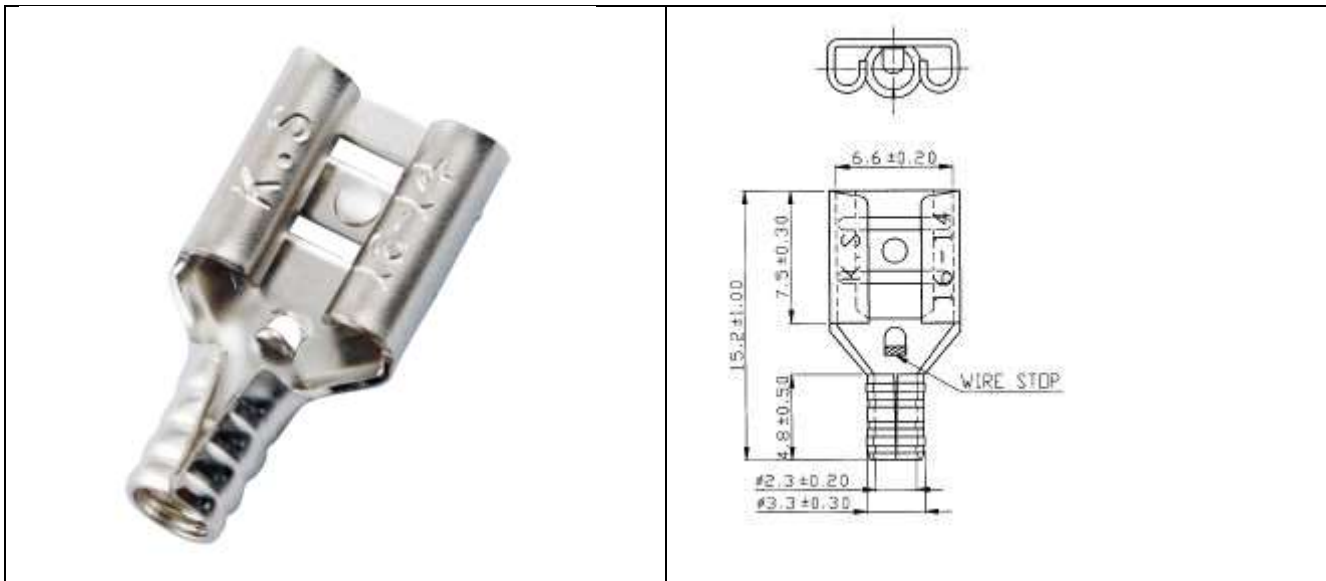
MAXIMUM ELECTRIC CURRENT:

A.W.G.	16	14
AMP.	10	15

TERMINAL MATERIAL: STEEL

TERMINAL SURFACE TREATMENT: NICKEL PLATED

THICKNESS: 0.4MM



WIRE RANGE A.W.G. mm ²	NEMA TAB (0.8X6.35)	DIMENSION inch(mm)					
		W	F	L	B	D	T
16-14 A.W.G. 1.5-2.5 mm ²	.032X.250 (0.8X6.35)	0.26 6.6	0.295 7.5	0.598 15.2	0.189 4.8	0.130 3.3	0.016 0.4