

## Datasheet

ENGLISH

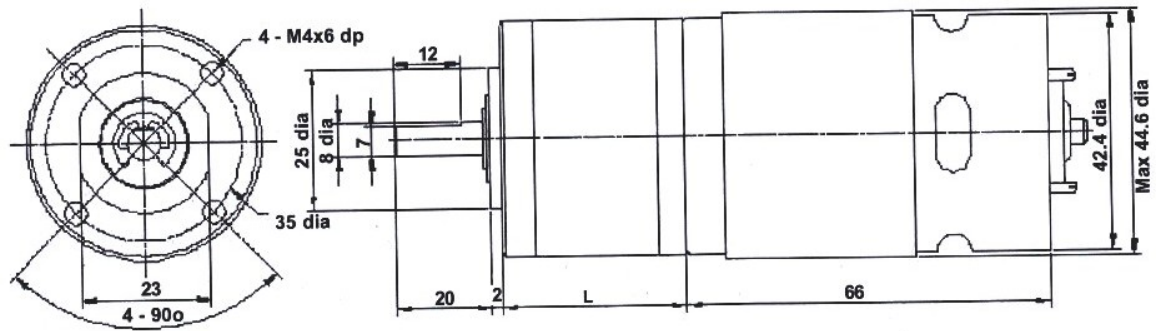
# RS PRO, 12 V dc, 30000 gcm, Brushed DC Geared Motor, Output Speed 14 rpm

Stock No: 420-619



## Specifications:

Output Speed	14 rpm
Supply Voltage	12 V dc
Maximum Output Torque	30000 g.cm
DC Motor Type	Brushed
Shaft Diameter	8mm
Power Rating	41.3 W
Gearhead Type	Planetary
Length	118.6mm
Width	44.6mm
Current Rating	5.5 A
Weight	669g



Operating relative humidity 20% ~ 85%  
 Operating temperature range -10°C ~ +60°C

Ratio	L
504:1	52.6mm

Gearbox Housing material	Metal
Backlash at no-load	< 3°
Bearing at output	Sleeve bearings
Radial load (10mm from flange)	< 5 kgf
Shaft axial load	< 3 kgf
Shaft press fit force max	< 15 kgf
Radial play of shaft	< 0.8mm
Thrust play of shaft	< 0.3mm

Reduction Ratio	Rated tolerance Torque	Max momentary Tolerance Torque	Efficiency
1/504	30.0 kgf-cm Max.	90.0 kgf-cm	50%

Reduction Table RPM SUPPLY VOLTAGE	6v	8v	12v
420-619	7	11	14

Note: Motor speeds may vary by (+) or (-) 12.5%