

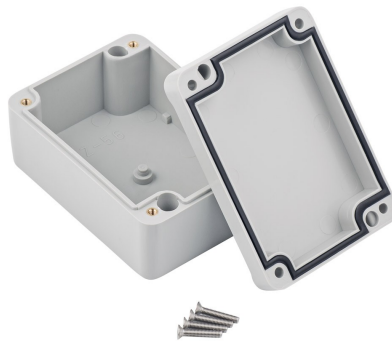


Datasheet

RS PRO Hermetically Sealed Enclosures

Stock number: 1920710

EN

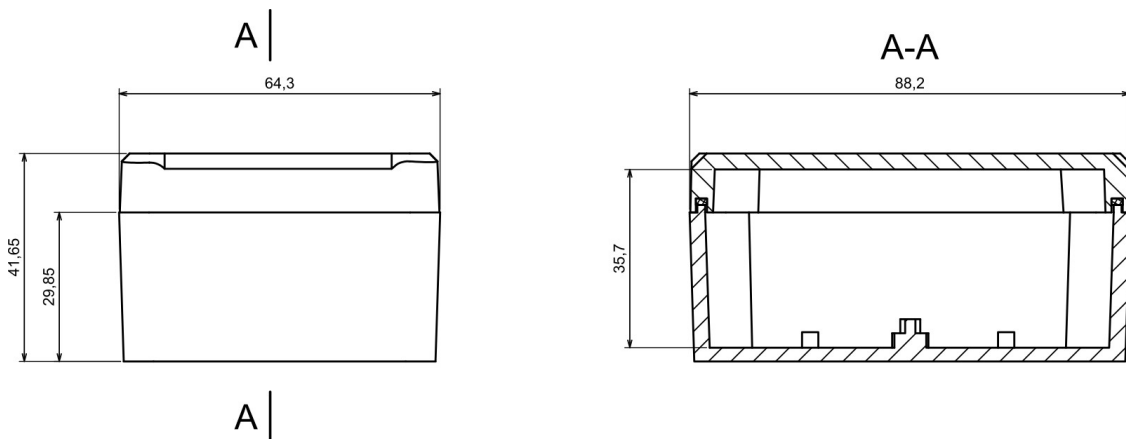


Product Details

Hermetic enclosure ideal for applications requiring protection against water ingress. Supplied with silicon gasket that provides IP67 rating. Threaded brass inserts ensures reliable assembly of the enclosure.

Features and Benefits

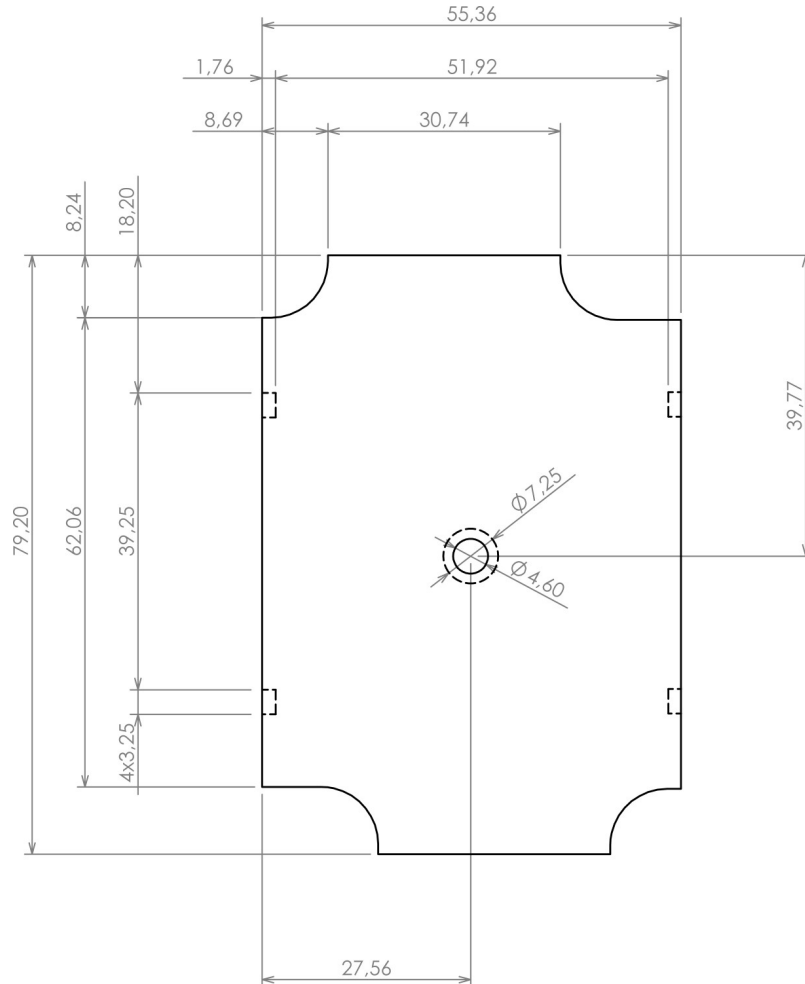
- Made of ABS
- Available in light gray color
- Protection against liquids and solid objects: IP67 rating
- Protection against mechanical impacts: IK09 rating
- Supplied four screws for assembly
- Manufactured with polyurethane gasket
- Threaded brass inserts for reliable assembly.



Category	Hermetically sealed enclosures
Type	Full
Material	ABS
Variant	With cast gasket and brass bushing
Height	41.7 mm
Width	64.3 mm
Length	88.2 mm
Color	Lightgray (J)
Protection level	IP67
Shock protection level	IK09
Standards Met	RoHS Compliant
Accessories	Screw M3/25: 4.0 pcs
Certificate number	CE/032/18



Max PCB size



Dashed line shows outline of the mounting boss under PCB board
Recommended mounting holes diameter $\phi 4$ mm
All dimensions are given within $\pm 0,5$ mm tolerance